



Operating Instructions

Translation of original operating instructions

UNIMOBIL UM Laying Dolly UM Basic Version

5274.0015
4274.0011
4274.0012
4274.0014
4274.0017



Bitte beachten Sie, dass das Produkt ohne vorliegende Betriebsanleitung in Landessprache nicht eingesetzt / in Betrieb gesetzt werden darf. Sollten Sie mit der Lieferung des Produkts keine Betriebsanleitung in Ihrer Landessprache erhalten haben, kontaktieren Sie uns bitte. In Länder der EU / EFTA senden wir Ihnen diese kostenlos nach. Für Länder außerhalb der EU / EFTA erstellen wir Ihnen gerne ein Angebot für eine Betriebsanleitung in Landessprache, falls die Übersetzung nicht durch den Händler/Importeur organisiert werden kann.

Please note that the product may not be used / put into operation without these operating instructions in the national language. If you did not receive operating instructions in your national language with the delivery of the product, please contact us. In countries of the EU / EFTA we will send them to you free of charge. For countries outside the EU / EFTA, we will be pleased to provide you with an offer for an operating manual in the national language if the translation cannot be organised by the dealer/importer.

1 Contents

1	Contents	2
2	EC - Declaration of Conformity	3
3	General.....	5
3.1	Authorized use	5
3.2	Survey and construction	7
3.1	Technical data and version/module description	8
3.1.1	Basic version.....	8
3.1.2	Load pick-up modules.....	9
4	Safety	14
4.1	Safety symbols	14
4.2	Safety Marking	14
4.3	Definition skilled worker / specialist.....	15
4.4	Personal safety requirements	15
4.5	Protective equipment	15
4.6	Accident prevention.....	15
4.7	Function Control.....	16
4.7.1	General	16
4.8	Safety procedures	16
4.8.1	General	16
4.8.2	Unauthorized transportations	17
4.8.3	Unauthorized alterations	17
5	Installation and Operation	18
5.1	Adjustments General.....	18
5.2	Operation General.....	20
5.3	Installation UM-VZ I.....	21
5.4	Installation UM- VPH	23
5.5	Installation UM- SM.....	27
5.6	Installation UM- VS-SPEEDY	32
5.6.1	UM - VS-S (SPEEDY) with integrated Honda generator SE	37
6	Operation	38
6.1	Working sequence	38
7	Maintenance and care	40
7.1	Maintenance.....	40
7.2	Suction Plates and Sealing Lips	41
7.3	Repairs	41
7.4	Safety procedures.....	41
8	Hints to the identification plate.....	42
8.1	Hints to the renting/leasing of PROBST devices.....	42

2 EC - Declaration of Conformity

DESCRIPTION: UNIMOBIL UM **Laying Dolly**
UM **Basic Version**

Manufacturer: Probst GmbH
Gottlieb-Daimler-Straße 6
D-71729 Erdmannhausen
info@probst-handling.de www.probst-handling.de

Complies with the following provisions applying to it

EC-machinery directive 2006/42/EC

Based on the following harmonized standards (in excerpts):

DIN EN ISO 12100

Safety of machinery - General principles for design - Risk assessment and risk reduction (ISO 12100:2010).

DIN EN ISO 13857

Safety of machinery — Safety distances to prevent hazard zones being reached by upper and lower limbs (ISO 13857:2008).

DIN EN 349

Minimum distance to avoid squeezing any parts of the body (ISO 13854).

DIN 45635-13

Measurement of airborne noise emitted by machines (displacement-, turbo- and jet-compressors).

DIN EN 1012-1 / DIN EN 1012-2

Compressors and vacuum pumps; Safety requirements part 1 and 2.

DIN EN 60204-1 (IEC 60204-1)

Safety of machinery, electrical equipment of industrial machines. Part 1: General requirements.

2006/95/EC (Low voltage standard)

2004/108/EC (Electromagnetic compatibility)

DIN EN 55014-1 (IEC/CISPR 14-1)

Electromagnetic compatibility – Requirements for household appliances, electric tools, and similar apparatus.
Part 1: Emission.

DIN EN 55014-2 (IEC/CISPR 14-2)

Electromagnetic compatibility – Requirements for household appliances, electric tools, and similar apparatus.
Part 2: Immunity.

Authorized person for EC-dokumentation:

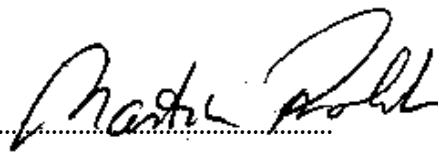
Name: J. Holderied

Address: Probst GmbH; Gottlieb-Daimler-Str. 6; D-71729 Erdmannhausen

Signature:

Erdmannhausen, 20.06.2018.....

(M. Probst, Managing director)

A handwritten signature in black ink, appearing to read 'M. Probst', is written over a dotted line.

EC-Declaration of Conformity / UKCA-Declaration of Conformity

Manufacturer: Probst GmbH
Gottlieb-Daimler-Straße 6
71729 Erdmannhausen, Germany
info@probst-handling.de
www.probst-handling.com



Importer: Probst Ltd
Unit 2 Fletcher House
Stafford Park 17
Telford Shropshire TF3 3DG, United Kingdom
www.probst-handling.co.uk
sales@probst-handling.co.uk



The machine described above complies with the relevant requirements of the following EU directives:
The object of the declaration described above is in conformity with the relevant UK-Regulations and UK-Guidelines:

EC-machinery directive 2006/42/EC (Reference: OJ L 157, 09.06.2006)

UK-Regulation: Supply of Machinery (Safety) Regulations 2008 (SI 2008 No. 1597)

2014/30/EU (Electromagnetic compatibility) / (Reference: OJ L 96, 29.03.2014)

UK-Regulation: Electromagnetic Compatibility Regulations 2016 (SI 2016 No. 1091)

The following standards and technical specifications were used:

DIN EN ISO 12100

Safety of machinery - General principles for design - Risk assessment and risk reduction

UK-Regulation: BS EN ISO 12100-1:2003+A1:2009

DIN EN ISO 13857

Safety of machinery - safety distances to prevent hazard zones being reached by upper and lower limbs.

UK-Regulation: BS EN ISO 13857:2019

2014/30/EU (Electromagnetic compatibility) / (Reference: OJ L 96, 29.03.2014)

UK-Regulation: Electromagnetic Compatibility Regulations 2016 (SI 2016 No. 1091)

DIN EN 60204-1 (IEC 60204-1)

Safety of machinery, electrical equipment of industrial machines. Part 1: General requirements.

UK-Regulation: BS EN 60204-1:2018

Authorized person for EC-documentation:

Name: Jean Holderied

Address: Probst GmbH; Gottlieb-Daimler-Straße 6; 71729 Erdmannhausen, Germany

Authorized person for UK-documentation:

Name: Nigel Hughes

Address: Probst Ltd ; Unit 2 Fletcher House; Stafford Park 17; Telford Shropshire TF3 3DG, United Kingdom

Signature, information to the subscriber:



Erdmannhausen, 02.08.2021.....

(Eric Wilhelm, Managing director)

3 General

3.1 Authorized use

The device " UNIMOBIL UM Laying Dolly" is a universal usable installation trolley for handling and laying concrete & natural stone products in connection with different Probst equipment like e.g. VZ I, VPH, SM, VS-S

The carrying capacity of the device „ UNIMOBIL UM Laying Dolly2 amounts maximum **150 kg** (330 lbs).

The carrying capacity is reduced when:

- suction plates with a lower carrying capacity (than 150 kg) are used.
- the Probst equipment **VZ I** (with a carrying capacity of 100 kg) is used, then is the **maximum carrying capacity** of the *UNIMOBIL UM Laying Dolly* **only 100 kg**.
- using a suction plate with a carrying capacity of **200 kg**, please note that the **maximum carrying capacity** of the *UNIMOBIL UM Laying Dolly* is **only 150 kg** (and **NOT 200 kg**).

This device is series-produced equipped with the following elements:

- Supported by steering roller with a locking brake.
- Boom and handles are telescopic to adjust well to different weights and measures of the laying goods (e.g. stone slabs).
- Gas spring with integrated brake with a control handle.



UNAUTHORIZED TRANSPORTIONS:

All **unauthorized alterations** of the device and the use of any self-made additional equipment could cause danger and are therefore **forbidden!!**

The **carrying capacity** the device is not allowed to cross over.

All unauthorized transportations with the device are not allowed!

- Transportation of people and animals.
- Transportation of other loads and material than described in this manual.
- Transportation of non rectangular goods, because they could fall down (with the VZ I).



Prior to every operation the user must ensure that:

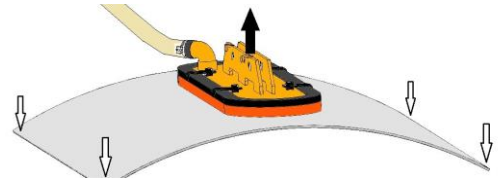
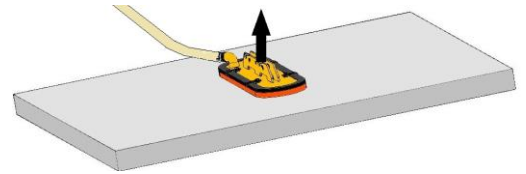
- the equipment is suited to the intended operation, the functioning and the working condition of the equipment is examined, and the loads are suitable to be handled.

Any doubts about instructions should be raised with the manufacturer prior to use.



- The device is only designed for the use specified in this documentation.
- Every other use is not authorized and is forbidden!
- All relevant safety regulations, especially regulations of the declaration of conformity, and additional local health and safety regulations have to be observed.

- The load (stone slabs) which is to be sucked and transported, must have sufficient inherent stability, otherwise there is **risk of breakage** when lifting!
- Stone slabs **must not** be bend when lifting - especially take care with thin and large-sized stone slabs!
- Generally, the load (stones slab) is only to be sucked in the **middle**, otherwise the load hangs diagonally under the device and the load could break - especially when lifting large stone slabs with a small suction plate.
- Standard suction plates are not suitable for the transport of glass plates!



The use of this device is only permitted in proximity to the ground.
The Load must not be lifted above 1,8 m (70,8 inch)!



Only suction plates of the manufacturer **PROBST** shall be used!!!



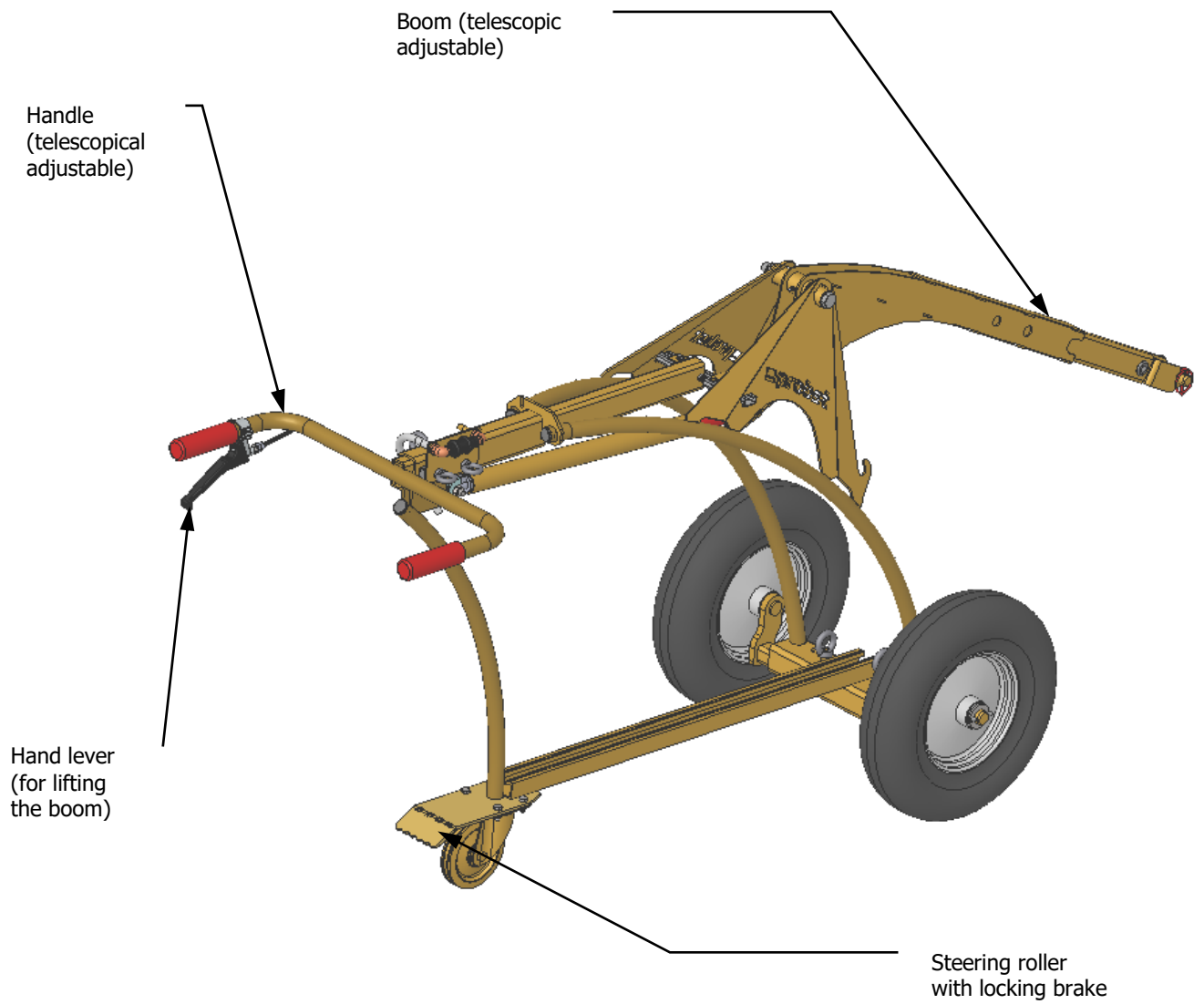
- Some suction plates which can be mounted to the device will reduce its carrying capacity.
The maximum load is indicated on each suction plate.



- Use only suction plates which are **approved** for this device!
- **Do not exceed** the maximum carrying capacity of the suction plates!!!
Danger: Load (stone slabs) will fall down!

3.2 Survey and construction

Basic version

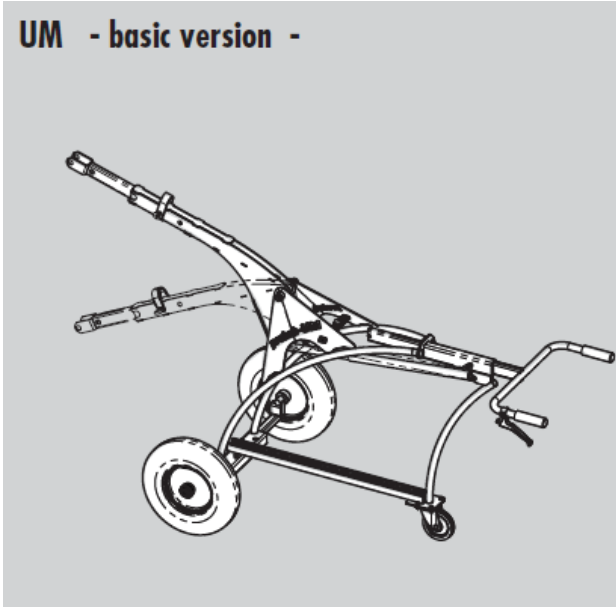


3.1 Technical data and version/module description

3.1.1 Basic version

UNIMOBIL UM Laying Dolly - Basic Version -

UM - basic version -



Basic version, standard equipment:

- ▶ Big rubber wheels with a diameter of 400 mm, makes manoeuvring the UM easy.
- ▶ Adjustable wheel distances (from 610 – 905 mm outside measurement) so that the UM can be adjusted to different slabs.
- ▶ Supported by a steering roller with a locking brake.
- ▶ Boom and handles are telescopic to adjust well to different weights and measures of the slabs.
- ▶ Gas spring with integrated brake with a control handle.

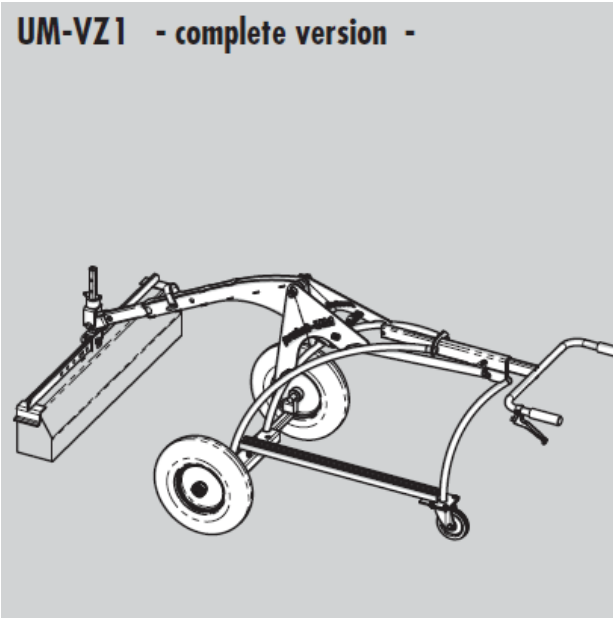
Please note: basic version has to be equipped with "Load Pick-up" module, in order to be used for laying slabs.

Type	Carrying Capacity kg (lbs)	Dead Weight kg (lbs)	Order-Number
UM basic version^①	150 (330)	40 (90)	4272.0235

3.1.2 Load pick-up modules

UNIMOBIL UM-VZ 1 Laying Dolly - Complete Version -

UM-VZ1 - complete version -



Complete version, equipped with Laying Clamp VZ1-UM.

Perfect device for laying large size slabs and precast curbs with a laying clamp (Gripping range between 500 and 1,045 mm).

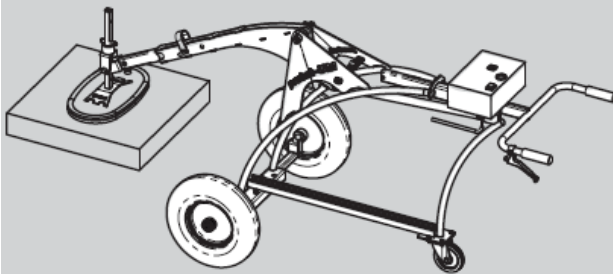
Advantage: well-priced alternative

Please note: edges could possibly be damaged. Laying slabs closely and picking the stones up to rearrange the surface can be difficult.

Type	Load Pick-up	Gripping Range mm (in)	Carrying Capacity kg (lbs)	Dead Weight kg (lbs)	Order-Number
UM-VZ1	mechanical grab	500 – 1,045 (19 3/4" – 41")	100 (220)	46 (100)	5274.0015

UNIMOBIL UM-VPH Laying Dolly - Basic Version -

UM-VPH - basic version -



Basic version (without suction plate) equipped with battery driven VACUUM POWER HANDY VPH.

Advantage: Close placing of slabs without damaging the edges. Picking up stones is also possible.

- ▶ 90° turnable suspension for suction plate
- ▶ For vacuum installation of dense stones like Granite, wet cast products etc.
- ▶ Please note: Suction plate has to be ordered separately. See chart.

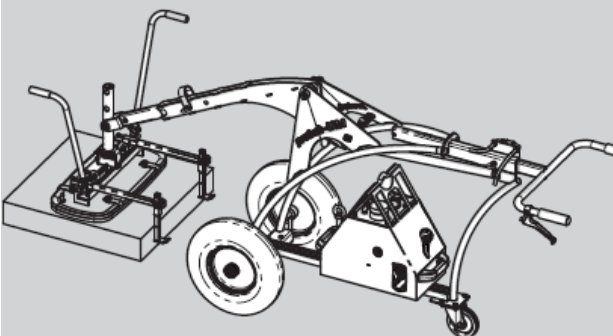
Please note: stones have to be dense for perfect function.

Type	Load Pick-up	Dimension Suction Plate oval mm (in)	Carrying Capacity kg (lbs)	Dead Weight kg (lbs)	Order-Number
UM-VPH^①	Vacuum		see suction plate	49 (110)	4274.0014 + 4271.0001
VPH-SPS-HP-100-26/21^①		260 x 210 (10 ^{1/4} x 8 ^{1/4})	100* (220*)	2 (4)	4270.0051
VPH-SPS-HP-150-44/25^①		440 x 250 (17 ^{1/4} x 9 ^{3/4})	150* (330*)	4 (9)	4270.0050
Battery-12 V/6,5 Ah	Spare storage battery for VPH-100 and 150				2420.0007
VPH-LG-220 V/12 V	Battery charger for VPH-100 and 150				2420.0004
ED-SPS-HP-100	Replacement seal for VPH-SPS-HP-100-26/21				4273.0004
ED-SPS-HP-150	Replacement seal for VPH-SPS-HP-150-44/25				4273.0012

*Value at 500 mbar low pressure

UNIMOBIL UM-SM Laying Dolly - Basic Version -

UM-SM - basic version -



Basic version (without suction plate) equipped with battery driven STONEMAGNET SM-400 (see Chart p. 5.10).

The UNIMOBIL UM-SM is the perfect vacuum laying system for slightly porous slabs and stone.

Advantage: The most gentle and the closest positioning of slabs as possible. Re-pick up possible. Also suitable for slightly porous stones.

► It is equipped with handles on the suction plate and a 90° turnable suspension for the perfect positioning of the slabs.

Please note: Suction plates have to be ordered separately. See Chart.

Please note: heavily porous stones cannot be handled with this device.

Type	Load Pick-up	Dimension Suction Plate oval mm (in)	Carrying Capacity kg (lbs)	Dead Weight kg (lbs)	Order-Number
UM-SM ①	Vacuum		see suction plate	99 (220)	4274.0011 + 5272.0002
SM-SPS-90-30/20 ①		300 x 200 (11¾ x 7¾")	90** (198)	5 (10)	4272.0009
SM-SPS-200-58/28 ①		580 x 280 (22¾ x 11")	²⁾ 200** (440)	9 (20)	4272.0001
Spare storage battery 26 Ah, 12V					2420.0008
Battery charger LG-220 V/12V					2420.0016
ED-SPS-90	Replacement seal for SM-SPS-90				4250.0023
ED-SPS-200	Replacement seal for SM-SPS-200				4272.0004

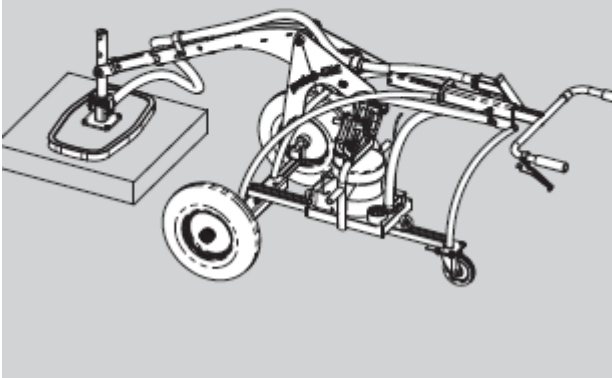
* Value at 200 mbar low pressure **Value at 500 mbar low pressure

²⁾ when operated with UNIMOBIL UM-SM carrying capacity is 150 kg only

UNIMOBIL UM-VS-140 Laying Dolly - Basic Version

UNIMOBIL UM-VS-140/SE Laying Dolly - Complete Version

UM-VS-S - basic version -



Basic version (without suction plate) equipped with SPEEDY VS-140 electrical operation 230 V or 110 V (see typelist page 5.5).

The UNIMOBIL UM-VS-140 is the perfect vacuum laying system for porous slabs and stone.

Advantage: Gentle and close positioning of slabs possible. Re-pick up possible. Also suitable for very porous stones.

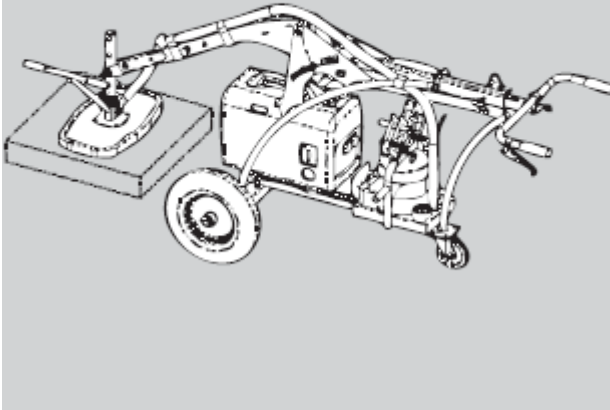
- ▶ It is equipped with a 90° turnable suspension for the perfect positioning of the slabs.
- ▶ Including additional handle on the suction

plate for better positioning of the laying material.

- ▶ Releasing of the suction force very simple by pulling a lever.
- ▶ Quick adjustment of the arm in 3 different positions.
- ▶ Please note: Laying dolly has to be connected via electrical cable with the electrical network of 230V or 110V.

Accessories: Suction Plates (SPS)

For different applications suitable suction plates are available (see chart).

UM-VS-140 - complete version -


Same specifications as UM-VS-140, however with integrated generator*** totally independent from the mains.

Please note: Suction plate have to be ordered separately. See Chart.




Type	Load Pick-up	Power	Dimension mm (in) Suction plate oval	Carrying Capacity kg (lbs)	Dead Weight kg (lbs)	Order-Number
UM-VS-140 (230)	Vacuum	230V, 50 HZ	see suction plate		64 (140)	4274.0012 + 5270.0007
UM-VS-140 (110)	Vacuum	110V, 50/60 HZ	see suction plate		64 (140)	4274.0012 + 5270.0008
UM-VS-140/SE-H (230)	Vacuum	230V, 50 HZ	see suction plate		84 (185)**	4274.0012+5270.0007+5250.0240+4272.0238****
UM-VS-140/SE-K (230)	Vacuum	230V, 50 HZ	see suction plate		82,5	4274.0012+5270.0007+5250.0242+4272.0259****
VS-SPS-50-30/25			300 x 250 (11 ³ / ₄ x 9 ³ / ₄)	50*(110*)	1,4 (3)	4271.0013
VS-SPS-80-40/30			400 x 300 (15 ¹ / ₄ x 11 ³ / ₄)	80*(175*)	2,0 (4)	4271.0008
VS-SPS-100-50/30			500 x 300 (19 ¹ / ₄ x 11 ³ / ₄)	100*(220*)	2,5 (6)	4271.0012
VS-SPS-140-70/30			700 x 300 (27 ¹ / ₂ x 11 ³ / ₄)	140*(310*)	3,0 (7)	4271.0011
VS-ED-SPS-50	Replacement Seal: Easy to attach without gluing. incl. holding fixture.					4271.0032
VS-ED-SPS-80						4271.0029
VS-ED-SPS-100						4271.0031
VS-ED-SPS-140						4271.0030

* Value at 200 mbar low pressure **Value at 500 mbar low pressure *** Pendular suspensions for generator


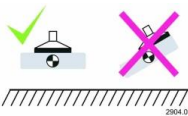


**** petrol tank empty 2) when operated with UNIMOBIL UM-SM carrying capacity is 150 kg only

4 Safety

4.1 Safety symbols

 Danger	<p><i>Danger to life!</i> Identifies imminent hazard. If you do not avoid the hazard, death or severe injury will result.</p>
 Attention	<p><i>Hazardous situation!</i> Identifies a potentially hazardous situation. If you do not avoid the situation, injury or damage to property can result.</p>
 Prohibition	<p><i>Prohibition!</i> Identifies imminent a prohibition. If you do not avoid the prohibition, death and severe injury, or damage to property will result.</p>

4.2 Safety Marking

WARNING SIGN			
Symbol	Meaning	Order-No.:	Size:
	It is not allowed to be under hanging loads. Danger to life!	2904.0210 2904.0209 2904.0204	30 mm 50 mm 80 mm
	Do not lift any components off-centre (always in centre of gravity).	2904.0383 2904.0594	102x52 mm 65x33 mm
WARNING SIGN			
Symbol	Meaning	Order-No.:	Size:
	Danger of squeezing the hands.	2904.0221 2904.0220 2904.0107	30 mm 50 mm 80 mm
REGULATORY SIGN			
Symbol	Meaning	Order-No.:	Size:
	Read operating instructions before operating.	2904.0366 2904.0365	30x57 mm 50x95 mm

4.3 Definition skilled worker / specialist

Only skilled workers or specialists is it allowed to carry out the installation,- maintenance, - and repair work on these device!

Skilled workers or specialists must have for the following points (if it applies for these device), the necessary professional knowledge.

- for mechanic
- for hydraulics
- for pneumatics
- for electrics

4.4 Personal safety requirements

- Only qualified, authorized certificated personal is allowed to operate the device and all devices which are connected (lifting equipment).



- Each operator must have read and understood the operating instructions.
- The manual guiding is only allowed for machines with handles.



4.5 Protective equipment

The protective equipment must consist, according to the safety regulations of the following parts:

- Protective clothing
- Safety gloves
- Safety shoes

4.6 Accident prevention



- The operating range have to be covered for unauthorized persons, especially children.
- The workplace have to be sufficiently illuminated.



- Take care handling wet, dirty and not solidified components.



- Take care in case of thunderstorm!



- The working with the device in case of atmospheric editions under 37,5° F is forbidden!
Because the goods could be fall down caused by dampness or freezing.

4.7 Function Control

4.7.1 General

- Before using the device check the functions and the working condition.
- Maintenance and lubrication are only permitted when device is shut down!
- Do not use the device, until all faults which can cause safety hazards are removed.
- If there are any cracks, splits or damaged parts on any parts of the device, **immediately** stop using it.
- The operating instructions must be available at the workplace every time.
- Do not remove the data-plates of the machine.
- Unrecognisable data-plates/type plates must be replaced.

4.8 Safety procedures

4.8.1 General



Danger

- The use of the device is only permitted in proximity to the ground. Do not swing it over peoples heads.



Prohibition

- While using the device is the stay of persons in the working area forbidden. Except it is indispensable. Caused of the way of using the device, e.g. if the device must be leaded by hand.



Prohibition

- While using the device be sure that there are no persons in the working area. **Danger to Life!**
- The operator is not allowed to leave the control unit as long as the device loaded with load. The load must always be in the range of vision of the operator.
- The manual guiding of is only allowed for devices with handles.



Danger

- The device must never be subjected to a force acting in a lateral direction due to diagonal pulling.
- Do not use the device to jerk seized products.
- Do not lift any components off-centre, because that could fall down.
- The device should not be opened if the opening path of the gripping arm is blocked by a resistance (e.g. other concrete blocks or the like)!



Prohibition

- **The capacity and of the device is not allowed to cross over.**
- Avoid quick or jerky movements with the device. E.g. caused through driving fast over uneven grounds/site is forbidden. Because the gripping good could fall down.

4.8.2 Unauthorized transportations



Prohibition

All unauthorized transportations with the device are not allowed!

- Transportation of people and animals.
- Transportation of other loads and material than described in this manual.
- Transportation of non rectangular goods, because they could fall down (with the VZ I).

4.8.3 Unauthorized alterations



Prohibition

All unauthorized alterations of the device and the use of any self-made additional equipment could cause danger and are therefore forbidden!!

5 Installation and Operation

5.1 Adjustments General

The distance between the rubber tyres is adjustable. Open and remove both rings bolts (see ← ←).

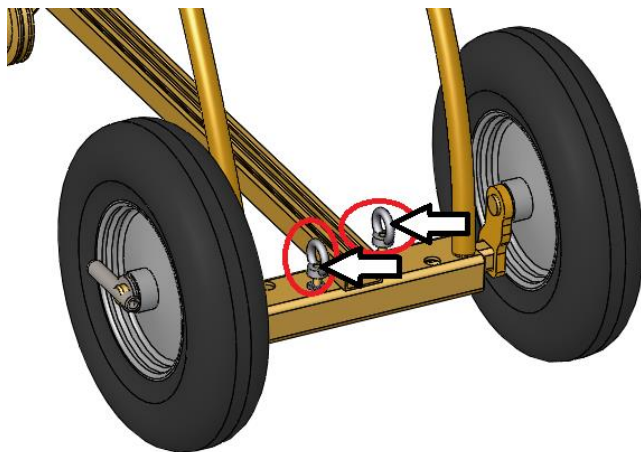


Fig. 1

Adjust the distance of the rubber tyres and retorque both ring bolts again.



Fig. 2



When working on uneven terrain, or when picking up larger loads, the overturning can be reduced as the wheel width of is increased.

The length of the handle is telescopically adjustable. Open ring screw.



Fig. 3

Adjust the length of the handle and retorque the ring screws again.



Fig. 4



By pulling out the handgrip, the backload to be applied can be reduced at higher loads.

The length of the boom is telescopically adjustable.

Pull spring bolt a little out - then turn and release it.

Adjust the length of the boom.

To lock the boom, pull the spring bolt a little out, turn and release it until it lock in position.

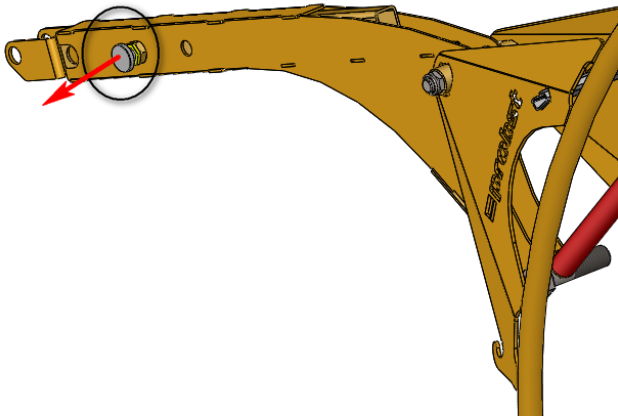


Fig. 5

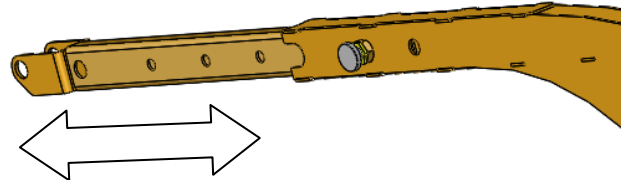


Fig. 6

5.2 Operation General

WORKING PRINCIPLE:

The boom is lifted through a gas spring with integrated brake and is controlled by a lever on the operating handle. This way stone can be picked up from a pallet of approximately 900 mm height. By pressing the lever again the load is lowered gently into place. Pressing the lever once more lifts the boom up to pick up the next unit.

- The boom (1) is lifted by a lockable gas spring (in not loaded condition), when the hand lever (2) at the handle (3) is activated.
- So it is possible to lift a load (stone slab) from a pallet (up to a high of 900 mm).
- When activate the hand lever (2) again, the boom can be lowered slowly and the load can be lay down.
- When activating the hand lever (2) again, the boom is lifted automatically (without load) and is therefore ready to lift the next load (stone slab).



Fig. 1

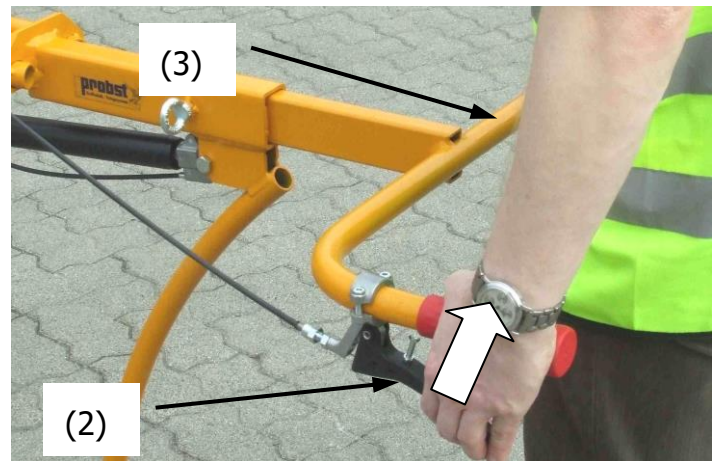


Fig. 2

5.3 Installation UM-VZ I



Fig. 1

Mount VZI at the “holder for VZ I/VPH”



Fig. 2

Secure the parts with half ring bolt and spring bolt (see also Fig. 4 and 5).



Fig. 3



Fig. 4



Fig. 5

(for more details see operating instruction VZ I)

5.4 Installation UM- VPH



Fig. 1

Mount the „holder for the VPH“ at the UM.



Fig. 2

Fasten the ring screws of the holder.



Fig. 3

Put the VPH on the holder. Therefore loosen the two butterfly nuts, remove the cover and connect the gripper clamp at the socket pipe. Afterwards mount the cover und tighten the two butterfly nuts again.

Fix the vacuum suction hose at the VPH with an gripper clamp (see Fig.5).

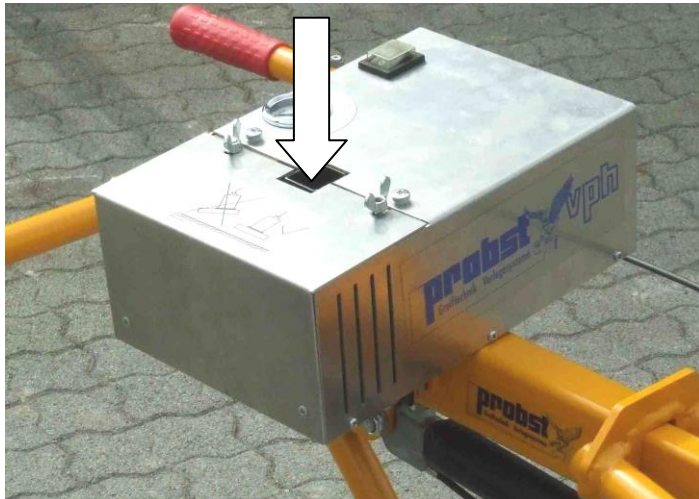


Fig. 4

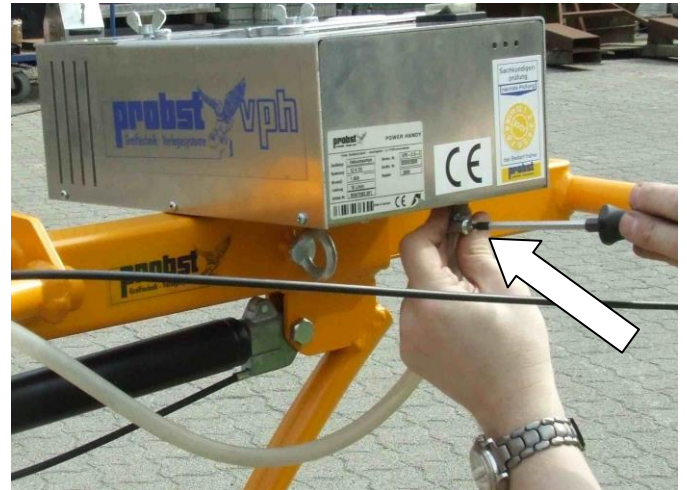


Fig. 5

Install the vacuum suction hose at the UM (see Fig. 6 - 10).



Fig. 6



Fig. 7

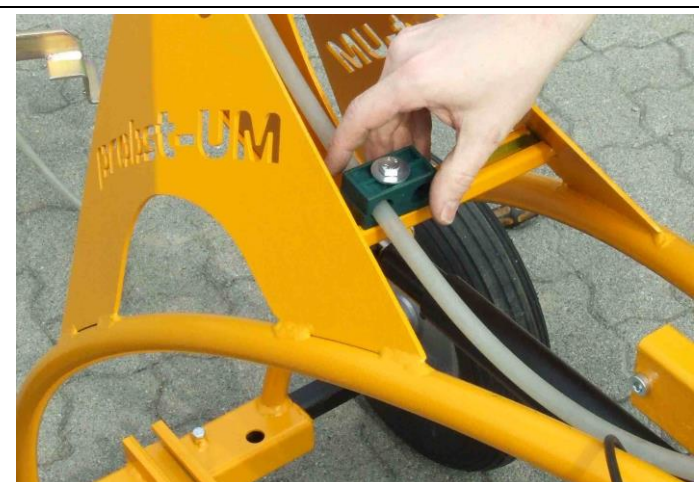


Fig. 8



Fig. 9



Fig. 10

Remove the VZ I from the “holder for VZI/VPH”.

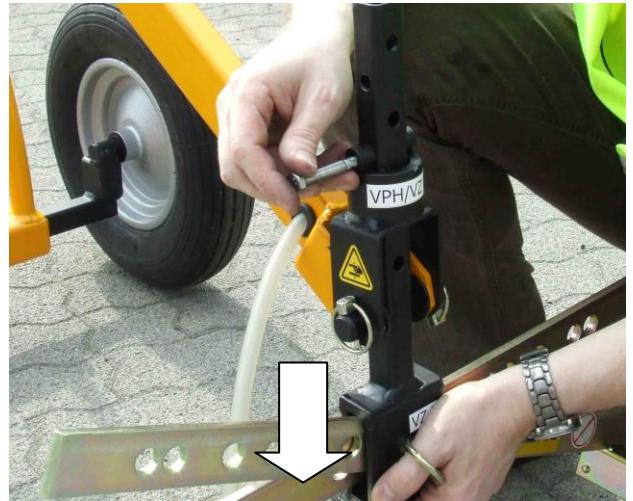


Fig. 11

Mount the allowable suction plate (see chapter “Technical Data”) for the VPH at the “holder for VZI/VPH”.

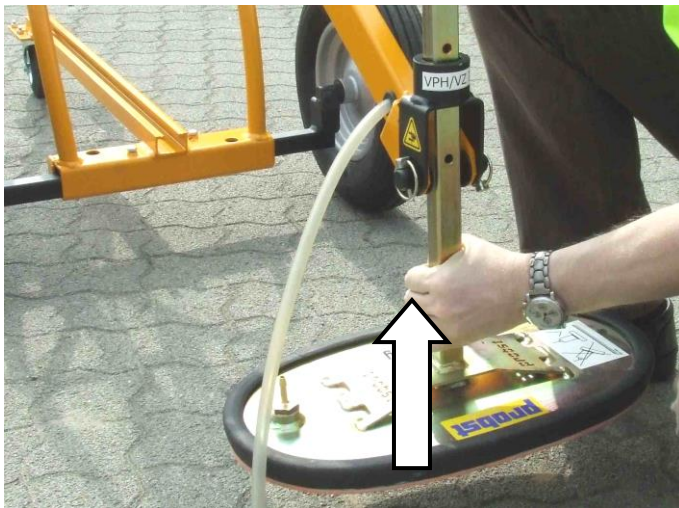


Fig. 12

Fasten the suction plate at the “holder for VZI/VPH”.



Fig. 13

Connect the vacuum suction hose with the suction plate (see Fig. 14 and 15).



Fig. 14



Fig. 15

Start the VPH (for more details see operating instruction VPH).
Observe the vacuum gauge during the lifting procedure!



Fig. 16



Fig. 17

5.5 Installation UM- SM



Fig. 1

Mount the “hand slide valve” for the SM (with two ring screws) at the UM. (see Fig. 2 and 3)

ATTENTION: When connecting the suction hose, observe the direction of arrow on the hand slide valve (Fig. 2 and 3). Connect the suction hose in the direction of arrow to the suction plate.

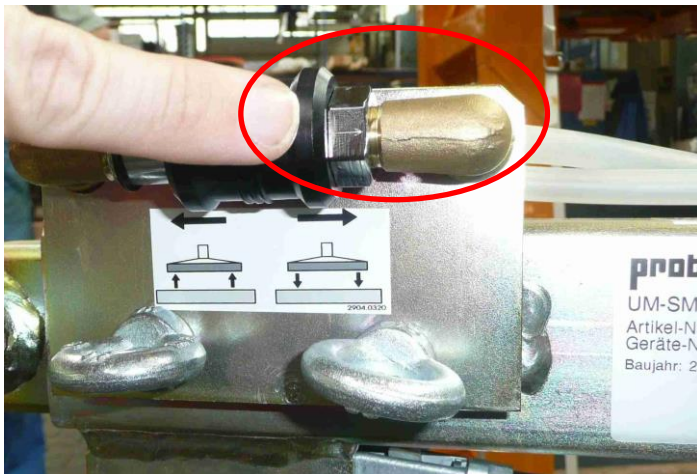


Fig. 2



Fig. 3

Install the suction hose at the SM.

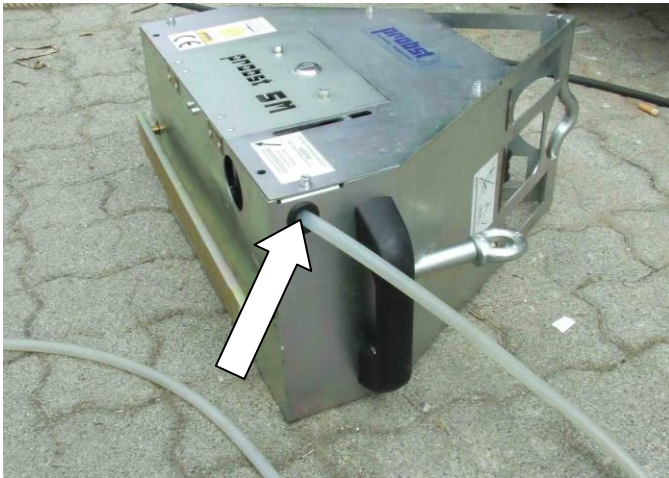


Fig. 4

Mount the SM at the UM.



Fig. 5

Position the SM in the middle of the guide bar and fasten the two ring screws at the SM.



Fig. 6

Install the vacuum suction hose at the hand slide valve.



Fig. 7

Install the vacuum suction hose at the UM

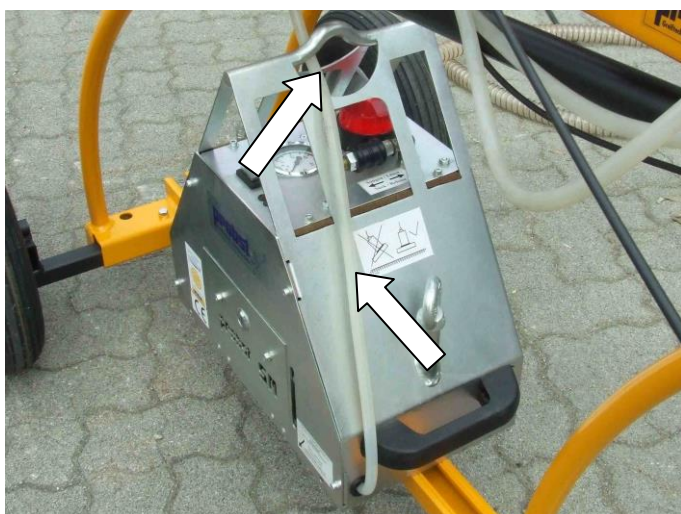


Fig. 8

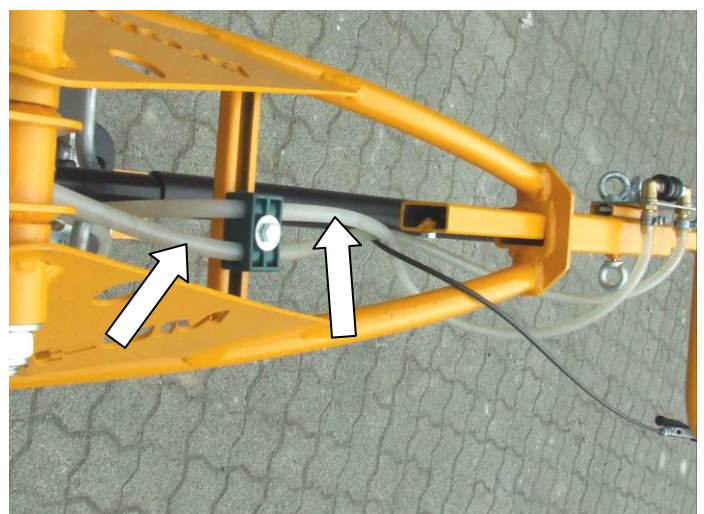


Fig. 9

Mount the "holder for SM/VS" at the boom of the UM.



Fig. 10

Mount the rack frame for the suction plate at the "holder for SM/VS".(see Fig. 11 – 13)



Fig. 11



Fig. 12



Fig. 13

Mount the allowable suction plate (see chapter “Technical Data”) for the SM at the rack frame *for suction plate*

Secure the suction plate with the two ring screws at the support.

Attention: this suction plate has 200 kg, but the real carrying capacity for UM-SM is only 150 kg!!!



Fig. 14



Fig. 15

Connect the vacuum suction hose with the suction plate (see Fig. 16)



Fig. 16



Fig. 17

Start the SM (for more details see operating instruction of the SM).



Fig. 18



Fig. 19

Move the “hand slide valve” on “SUCK”



Fig. 20

Move the “hand slide valve” on “→”



Fig. 21

Observe the vacuum gauge and the control lamps during the lifting procedure!



Fig. 22



Fig. 23

5.6 Installation UM- VS-SPEEDY



Fig. 1

Mount the allowable suction plate (see chapter “Technical Data”) for the UM-VS-S at the “holder for SM/VS”

Insert the “rail for VS-S”.



Fig. 2

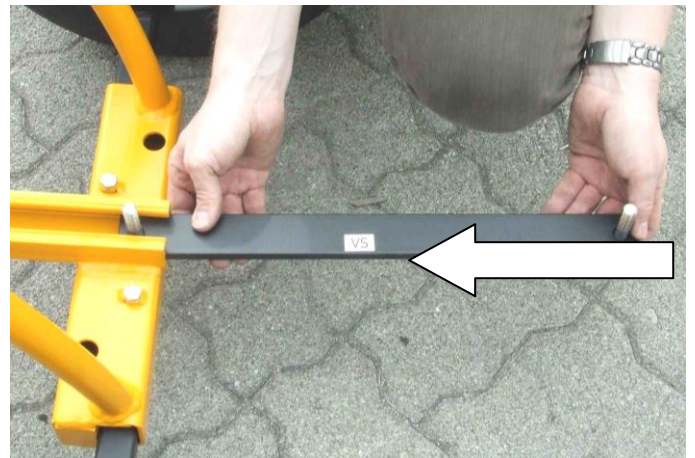


Fig. 3

Position the rail in the middle of the guide bar.

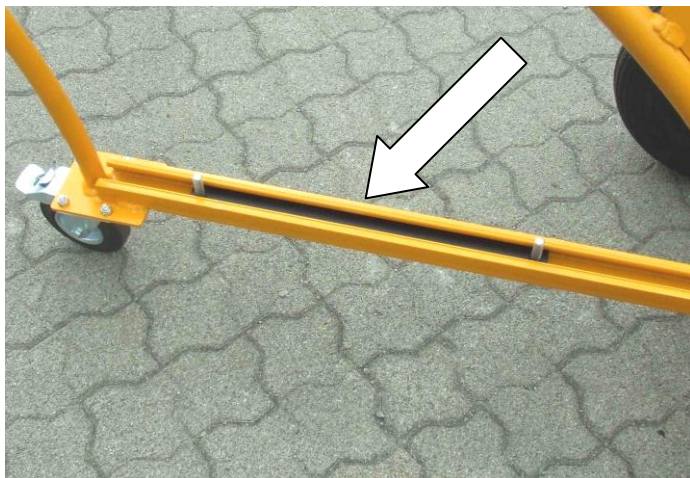


Fig. 4

Insert the device VS-S at the UM



Fig. 5

Fasten the VS-S with two ring screws at "rail for VS-S".



Fig. 6



Fig. 7

Install the vacuum hose with the vacuum hose clamp (↘) coming from the suction plate.



Fig. 8

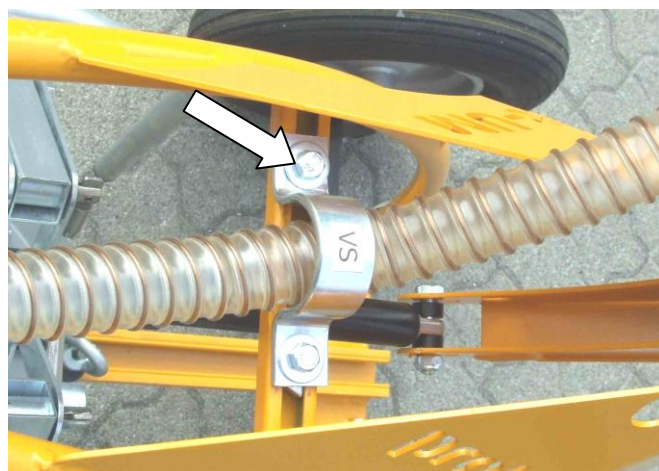


Fig. 9

Install the vacuum hose at the air-release valve (↙)

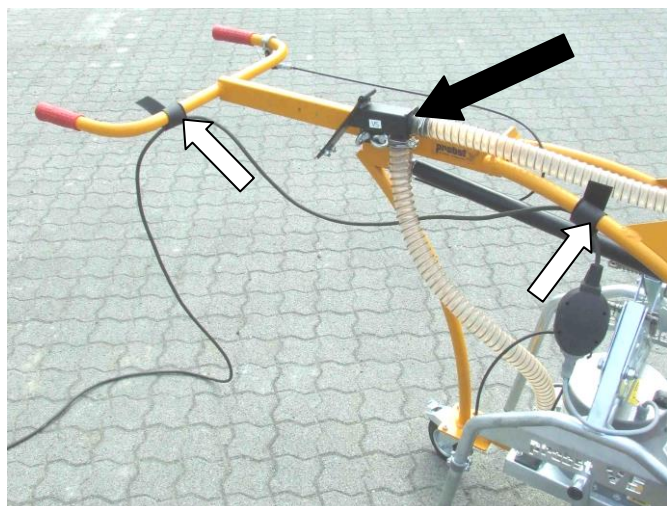


Fig. 10

Secure the power cable with a Velcro strip at the handle and at the frame of the UM. (small arrows ↖ ↗ in Fig. 10)



Fig. 11

Start the VS-S (for more details see operating instruction of the VS-S)



Fig. 12



Fig. 13

Observe the vacuum gauge during the lifting procedure!



Fig. 14



Fig. 15

Open the air-release valve for release the load (see **Fig. 16+16A**).

When working with the UM-VS-S on uneven area, the side support/swingable handles of the VS-S can be dismantled for a better handling with the UM-VS-S.

(Fig. 16 (and also e.g. 12 or 13) shows the UM-VS-S **with** support/swingable handles) (Fig. 17 shows the UM-VS-S support/swingable handles)

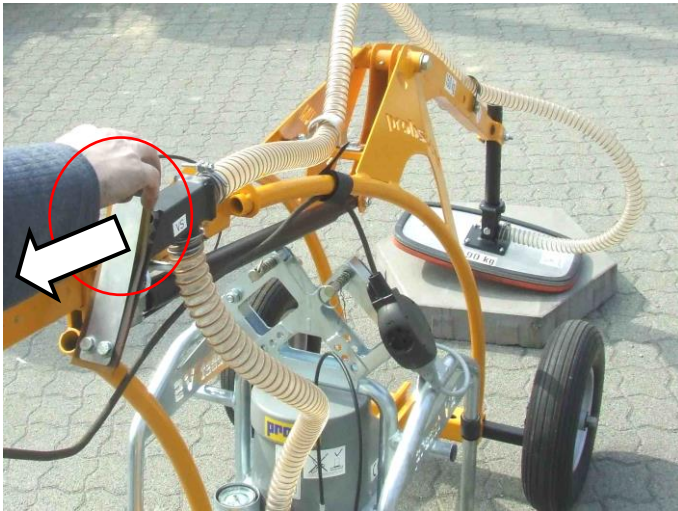


Fig. 16



Fig. 17

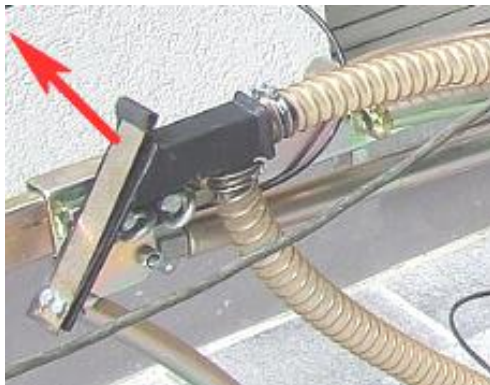
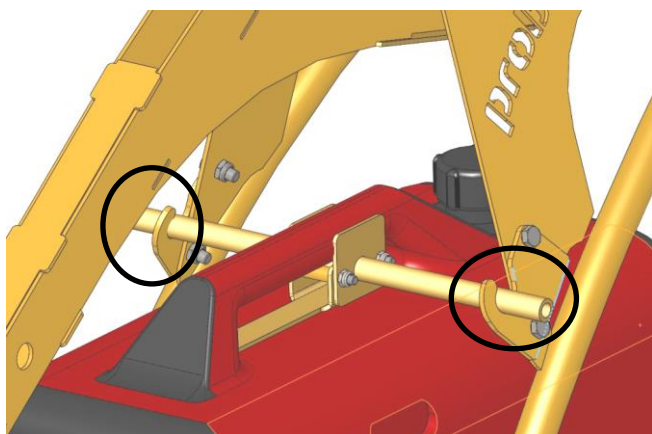
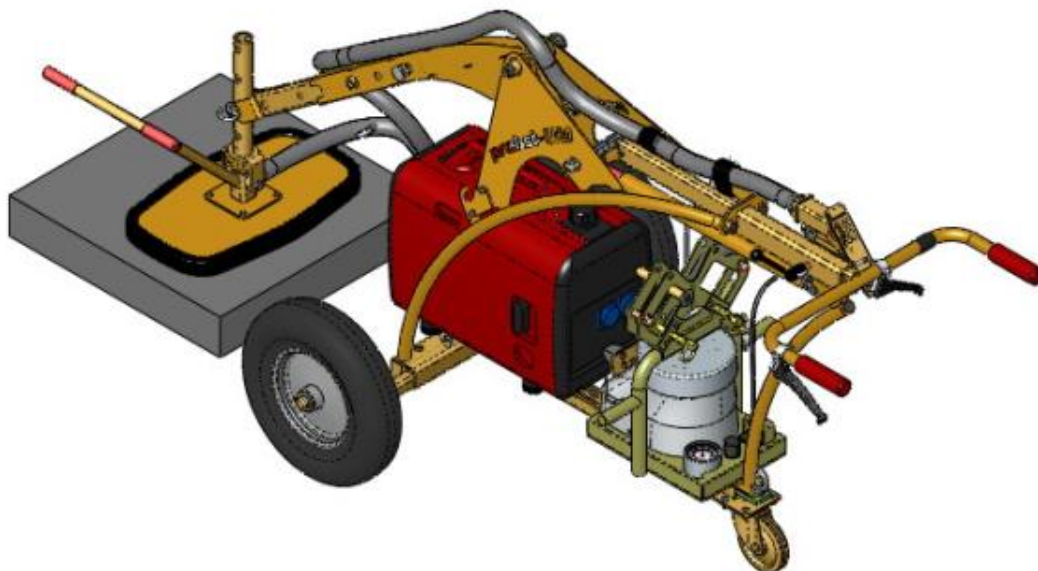


Fig. 16A

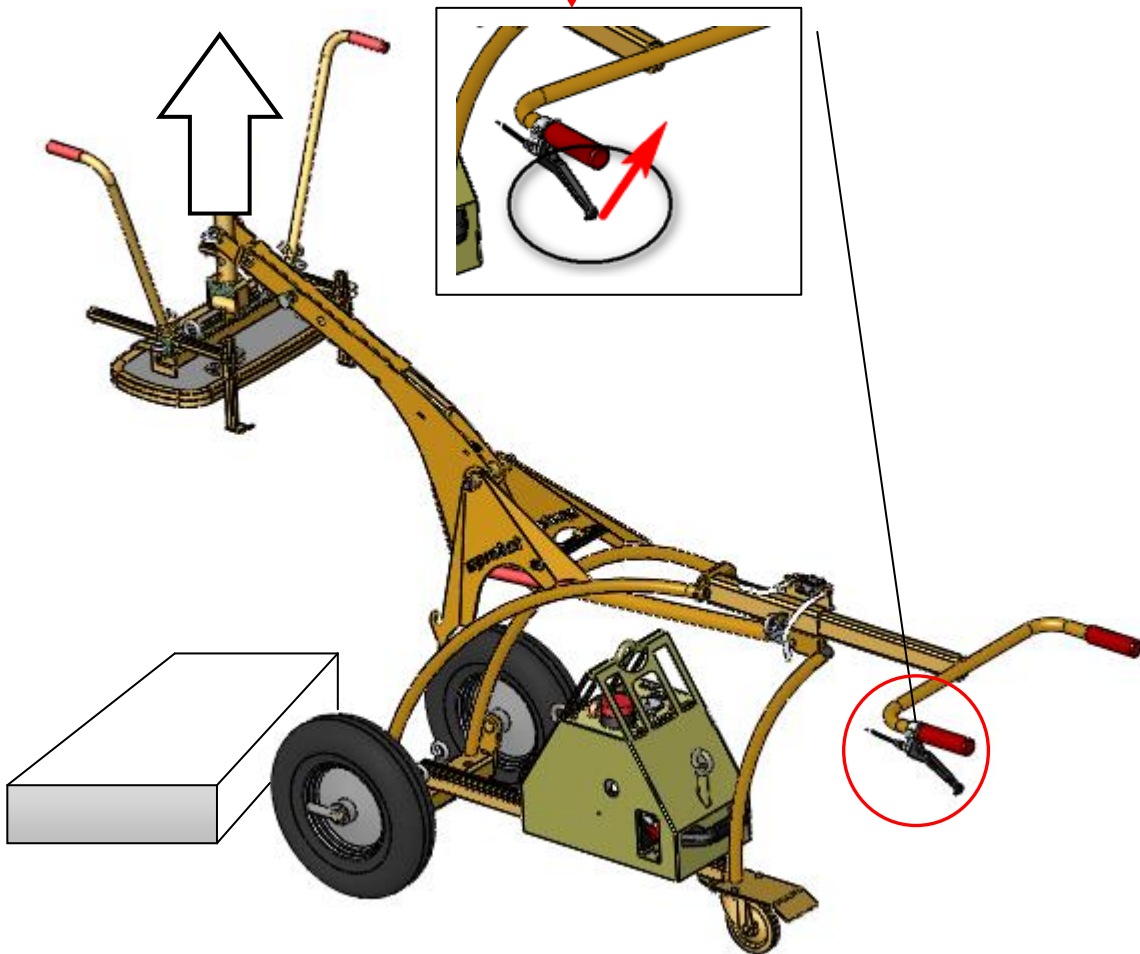
5.6.1 UM - VS-S (SPEEDY) with integrated Honda generator SE



6 Operation

6.1 Working sequence





7 Maintenance and care

7.1 Maintenance



To ensure the correct function, safety and service life of the device the following points must be executed in the maintenance interval.

Used **only original spare parts**, otherwise the warranty expires.



All operations may only be made in unpressurised, electro less and closed state of the device!

MECHANICAL

Service interval

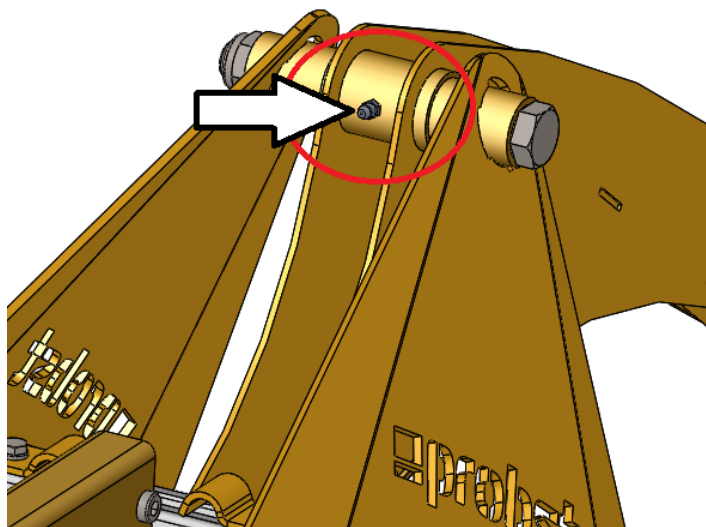
First inspection after
25 operating hours

All 50 operating hours

Minimum 1x per year
(at rough conditions shorten
the interval)

Maintenance work

- Control and tighten all screws and connection.
(The implementation is only allowed by an expert).
- Tighten all screws and connection (Take care that the tightening torques according to the property class of the screws are observed).
- Check all joints, bolts, guidance's and gears for correct function, if necessary adjust or replace it.
- Check all Grippers (if available) for signs of wear.
- Grease all grease nipples (see → in figure below) and slidings (if available) when the device is in opened position with a spatula.
- Check of all the suspension parts, bolts and straps. Check for corrosion and safety by an expert.



8 Hints to the identification plate



Type, serial-number and production year are very important for the identification of your device. If you need information to spare-parts, warranty or other specific details please refer to these information.

The max. carrying capacity is the maximum load which can be handled with the device. Do not exceed this carrying capacity.

If you use the device in combination with other lifting equipment (Crane, chain hoist, forklift truck, excavator) consider the deadweight of the device

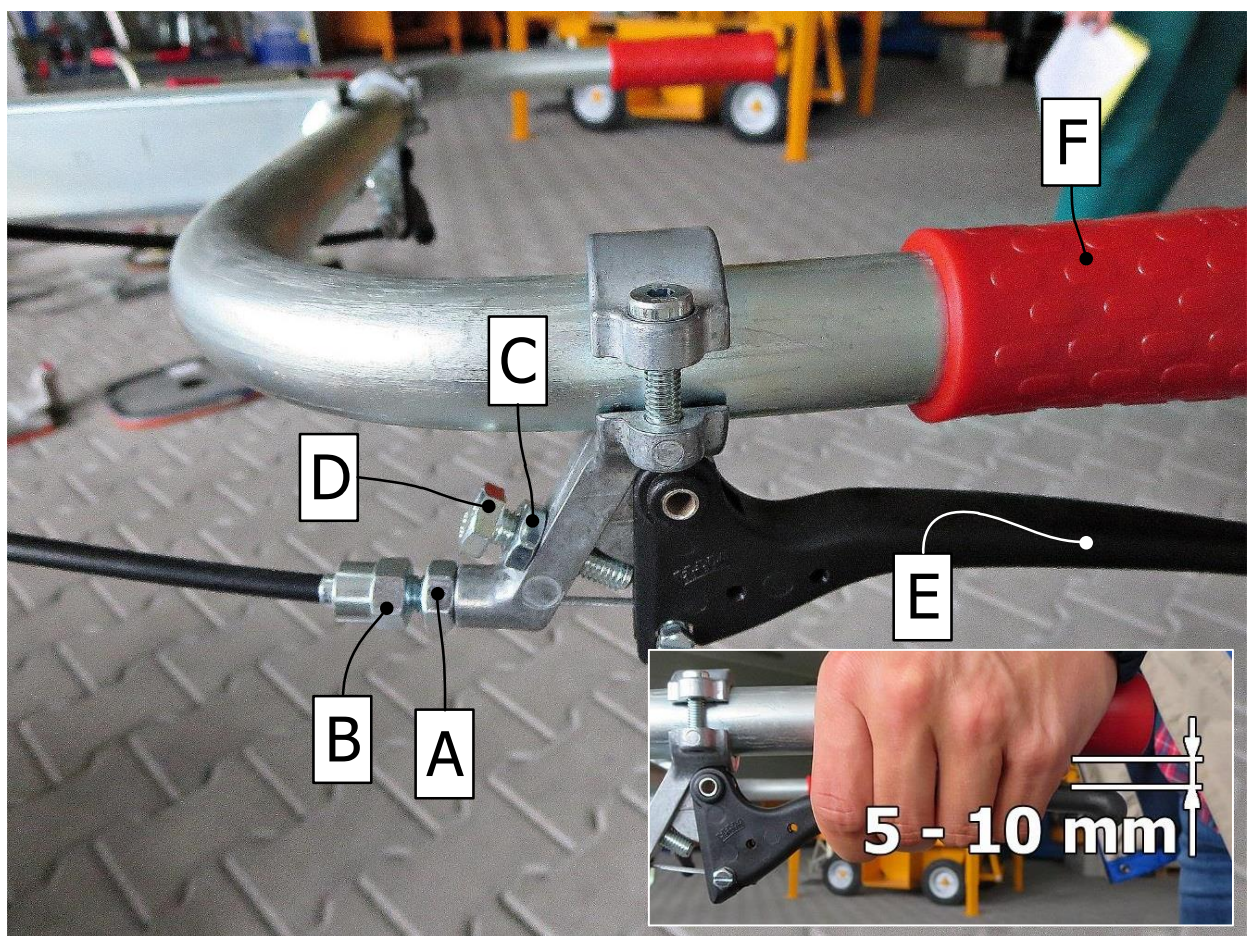


Example:

8.1 Hints to the renting/leasing of PROBST devices



With every renting/leasing of PROBST devices the original operating instructions must be included unconditionally (in deviation of the users country's language, the respective translations of the original operating instructions must be delivered additionally)!



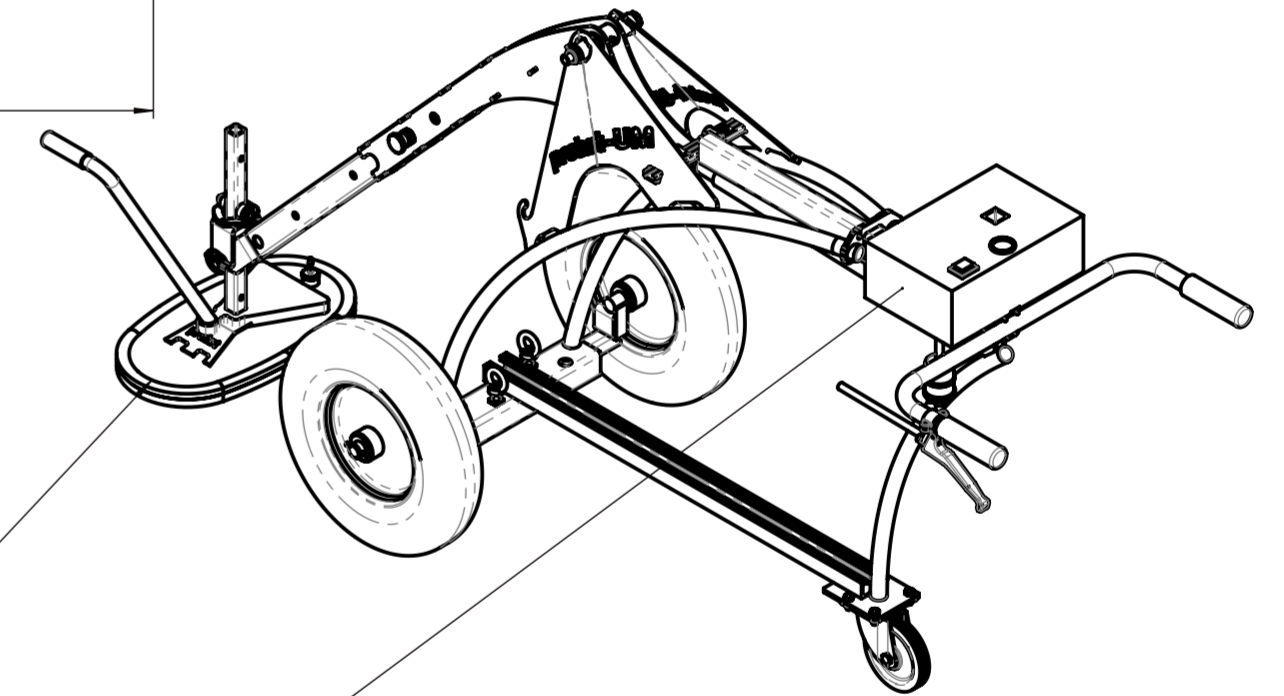
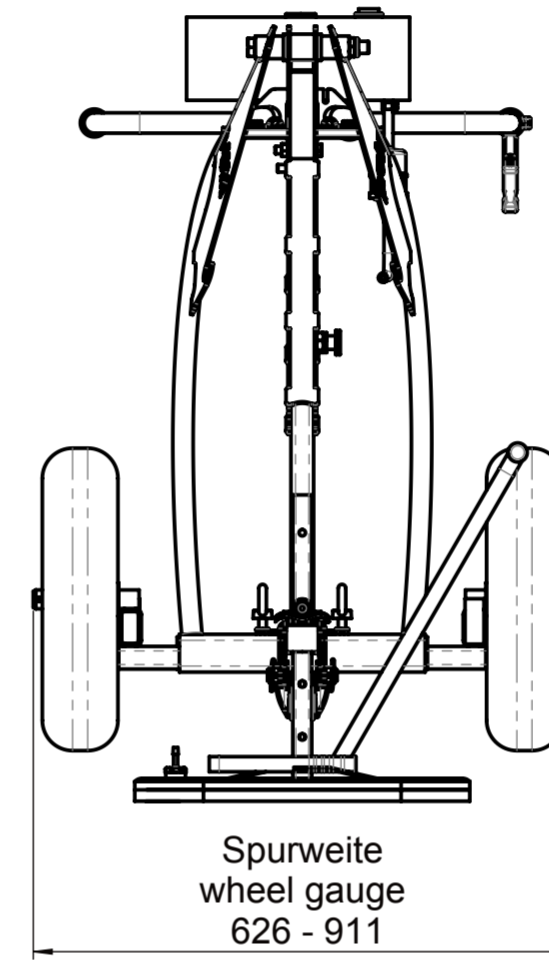
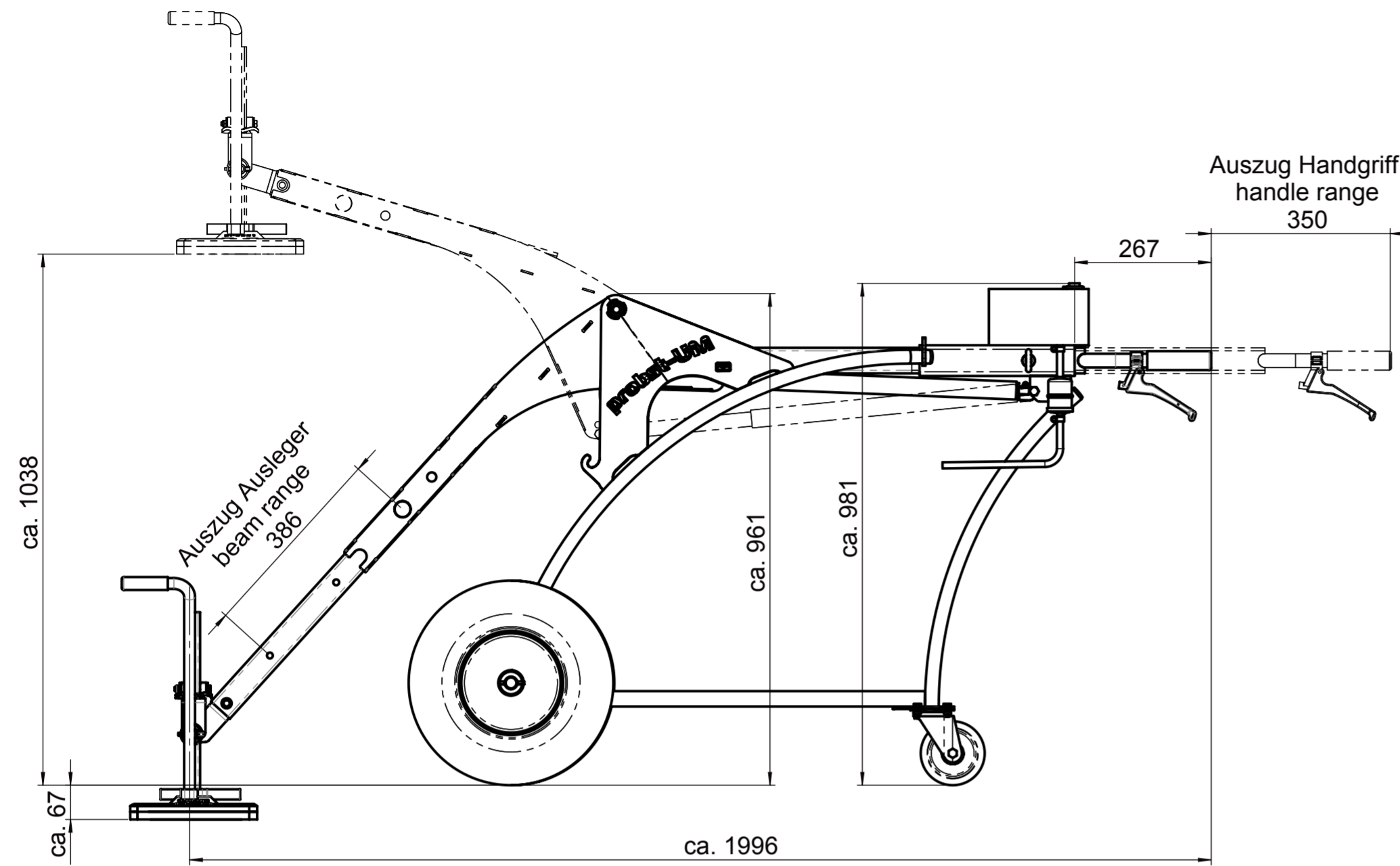
Sollzustand: Ausleger bewegt sich erst, wenn der Betätigungshebel fast am Griff **F** anliegt.

1. Kontermutter **A** lösen
2. Bowdenzugmutter **B** durch drehen so einstellen, dass der Ausleger sich bewegt, wenn Betätigungshebel **E** fast am Griff **F** anliegt (5 – 10 mm Luft).
3. Kontermutter **A** festdrehen
4. Kontermutter **C** lösen
5. Anschlagschraube **D** so drehen, dass der Betätigungshebel **E** nicht mehr locker ist
6. Kontermutter **C** festdrehen

Target state: The jib is moving only after the operating lever is almost in contact with the handle **F**.

1. Release the lock nut **A**
2. Adjust the nut on the bowden cable **B** by rotating it, so that the jib is moving only after the operating lever **E** is almost in contact with the handle **F** (5 – 10 mm gap)
3. Tighten the lock nut **A**
4. Release the lock nut **C**
5. Rotate the end stop screw **D**, so that the operating lever **E** is not loose anymore.
6. Tighten the lock nut **C**

Uni Mobil UM-VPH 42740014



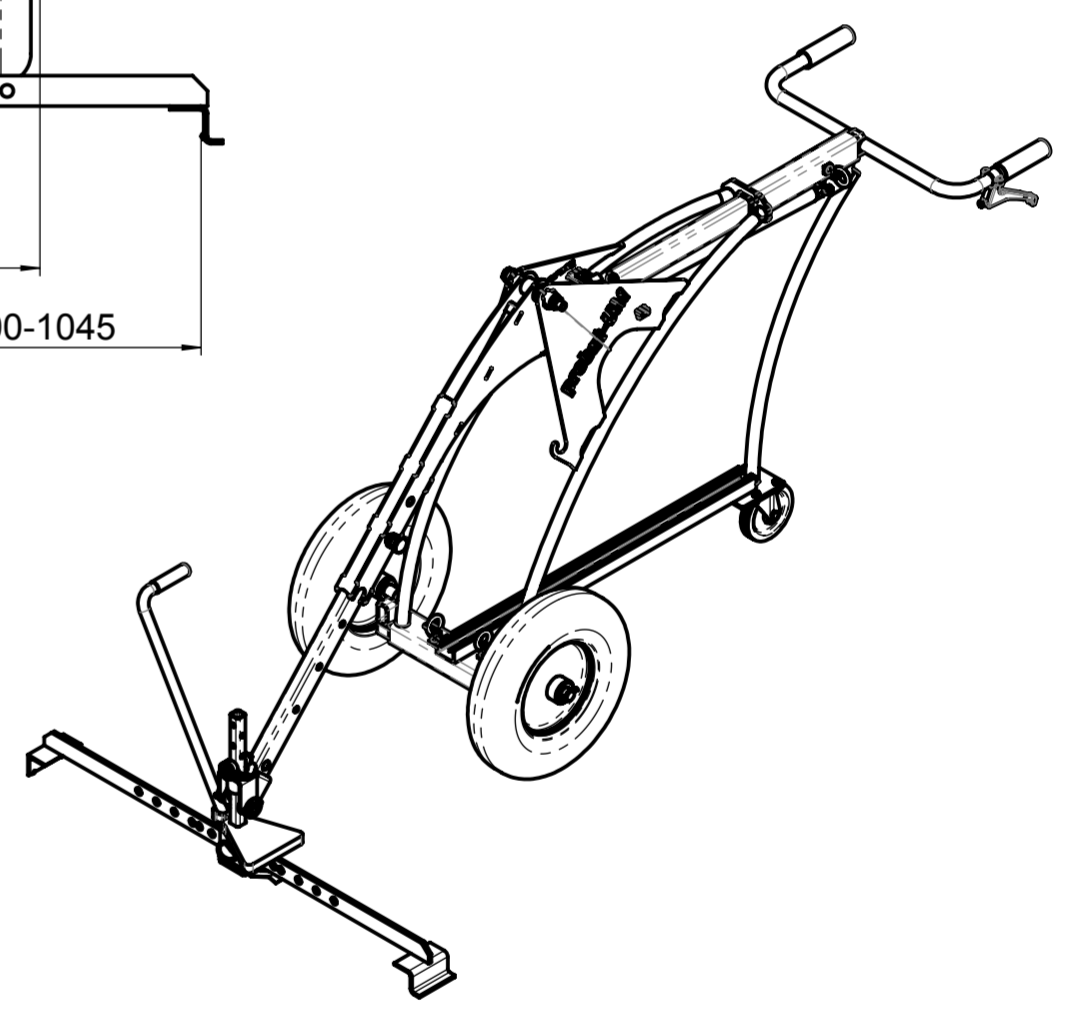
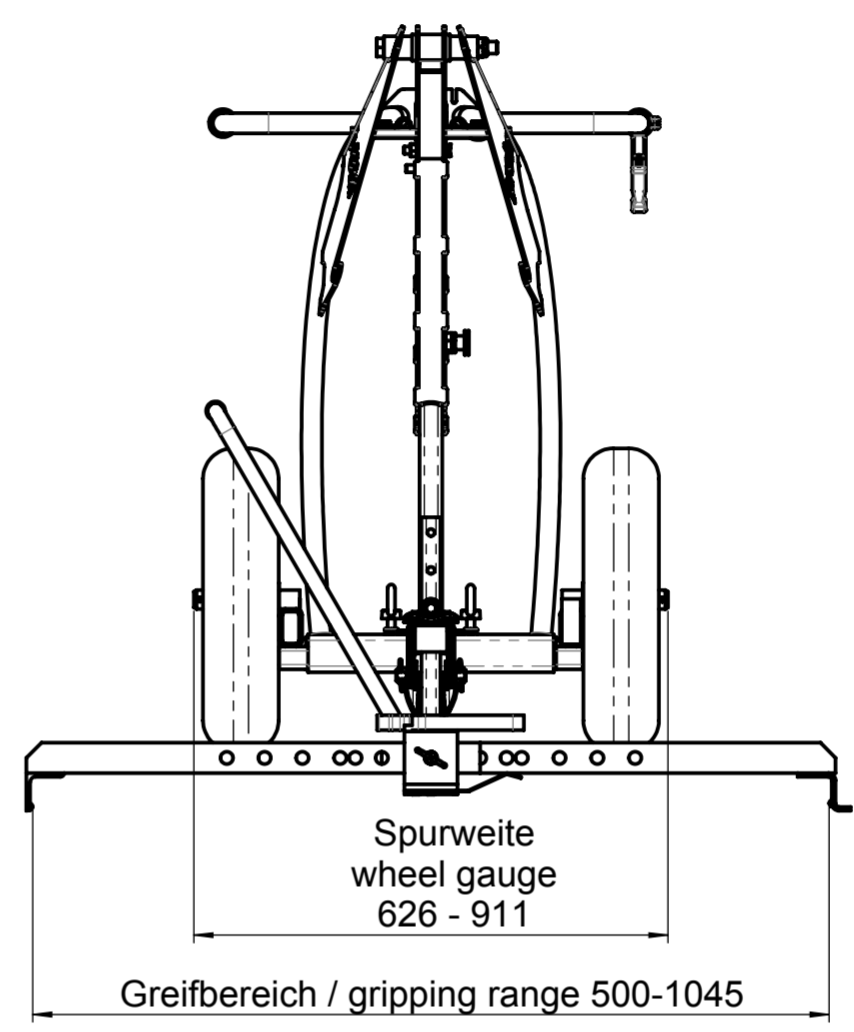
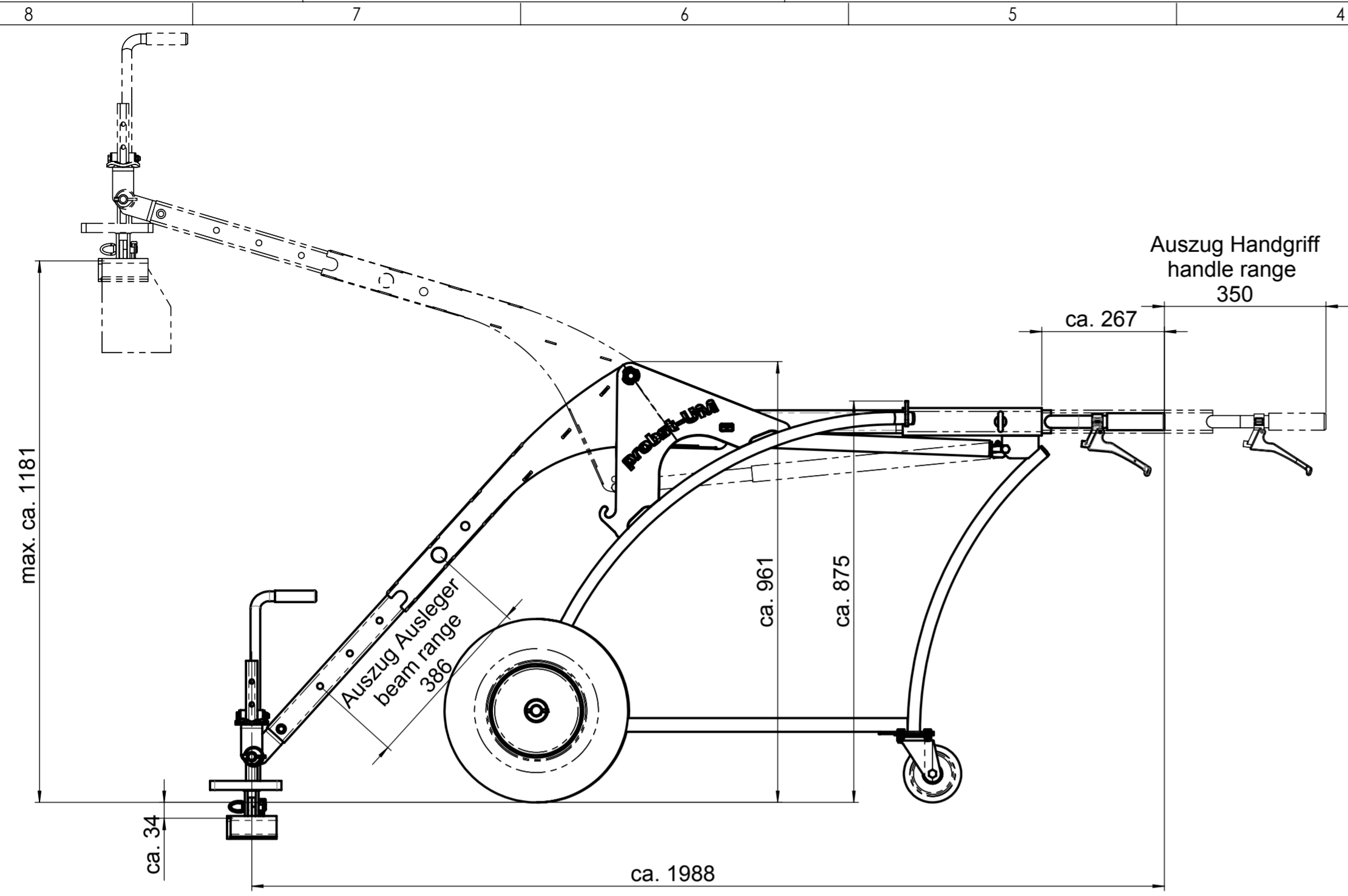
42710001

Tragfähigkeit: 150 [kg]

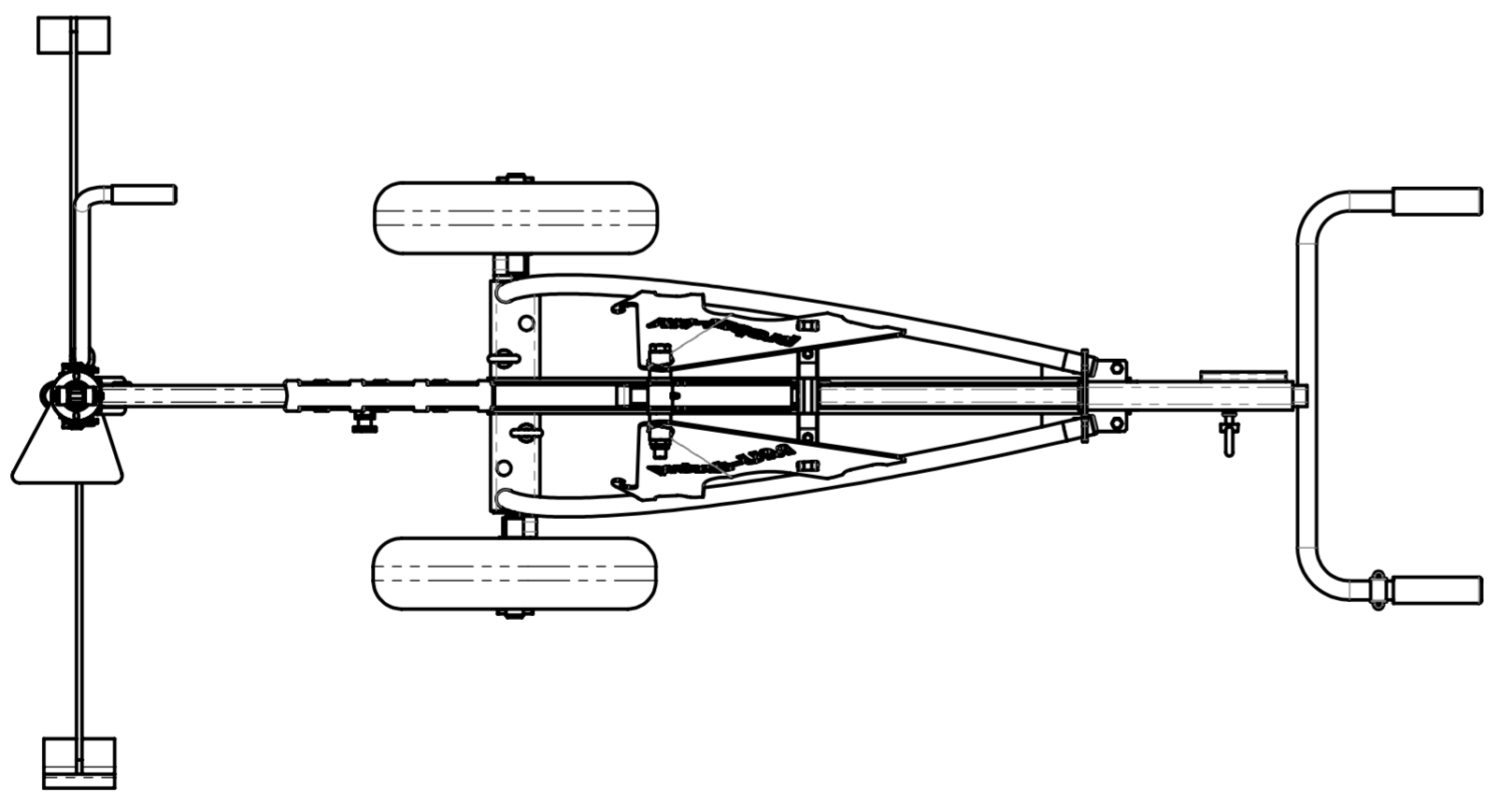
Carrying Capacity: 150 [kg] / (330 [lbs.])

Laying dolly UNI MOBIL UM-VPH


Allgemeintoleranzen nach DIN ISO 2768c		Oberflächen nach DIN ISO 1302		allgemeiner Biegehalbmesser = Blechstärke	
		Bei Änderungen Rücksprache mit TB !			
		Oberflächenbehandlung	Format	Maßstab: 1:10	1:7
		A2		Schutzvermerk nach DIN 34 beachten! Nachdruck nur mit unserer Genehmigung!	
		Datum	Name	Benennung	
		Erst. 18.11.2011	Ralf.Northe	Verlegewagen Uni Mobil UM Grundmodul	
				ohne Unterdruckerzeuger, ohne Saugplatte	
		WA:		Artikelnummer/Zeichnungsnummer	
		Kunde:		42720235	
		Zust. Änderungstext		Blatt 5 von 7	
		Datum		Ers. f.	
		Von		Ers. d.	
		Urspr.			

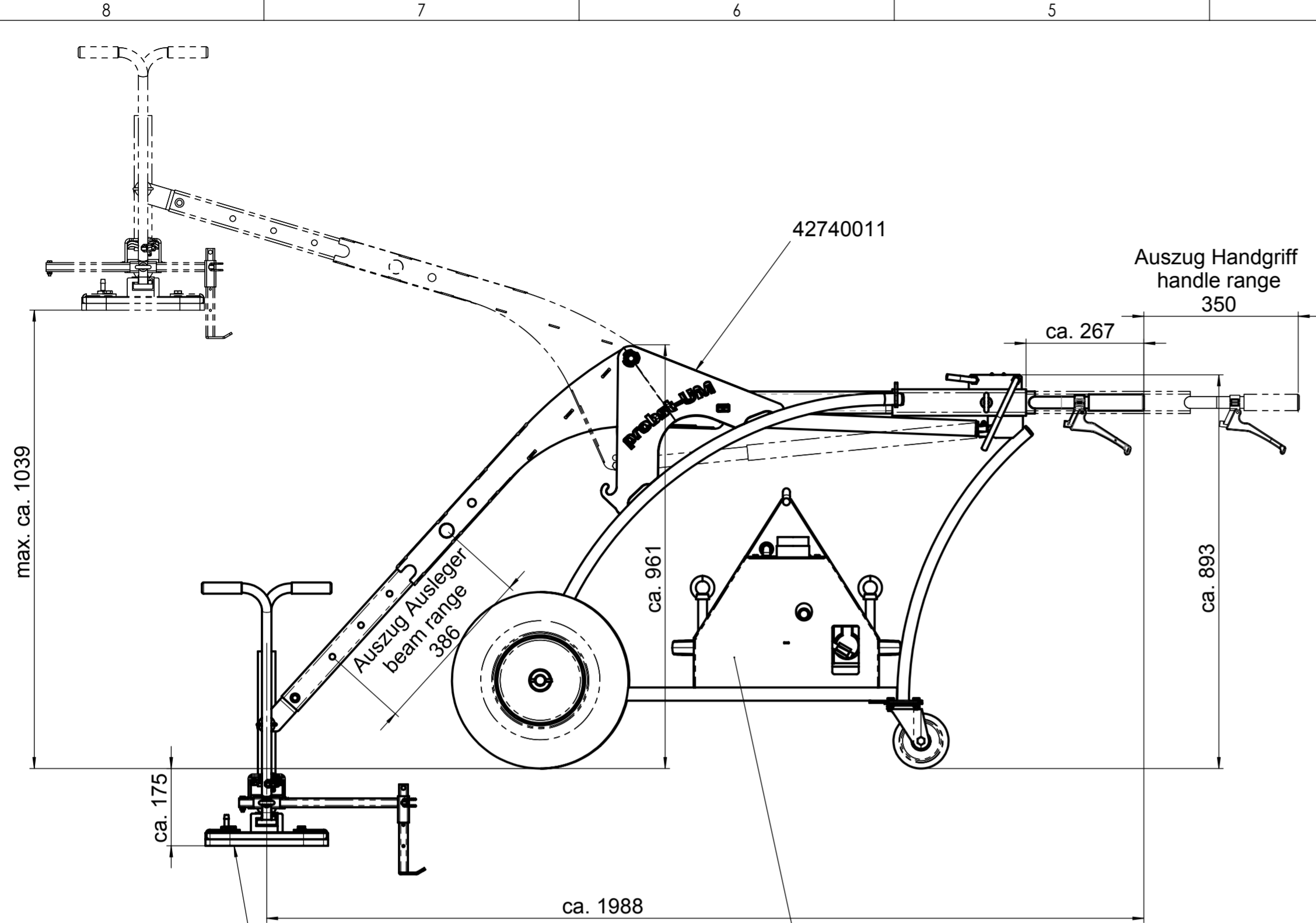


Tragfähigkeit: 100 [kg]
 Carrying Capacity: 100 [kg] / (220 [lbs.])



UNIMOBIL UM-VZ1 Laying dolly - complete version

		Bei Änderungen Rücksprache TB !	
		Gewicht: 46 kg	
Schutzvermerk nach DIN 34 beachten! Nachdruck nur mit unserer Genehmigung!		Benennung	
UNIMOBIL UM-VZ 1 Verlegewagen - Komplettgerät		Artikelnummer/Zeichnungsnummer	
D52740015		Blatt 1 von 1	
Zust.	Urspr.	Ers. f.	Ers. d.



Auszug Handgriff
handle range
350

ca. 267

ca. 893

max. ca. 1039

Auszug Ausleger
beam range
386

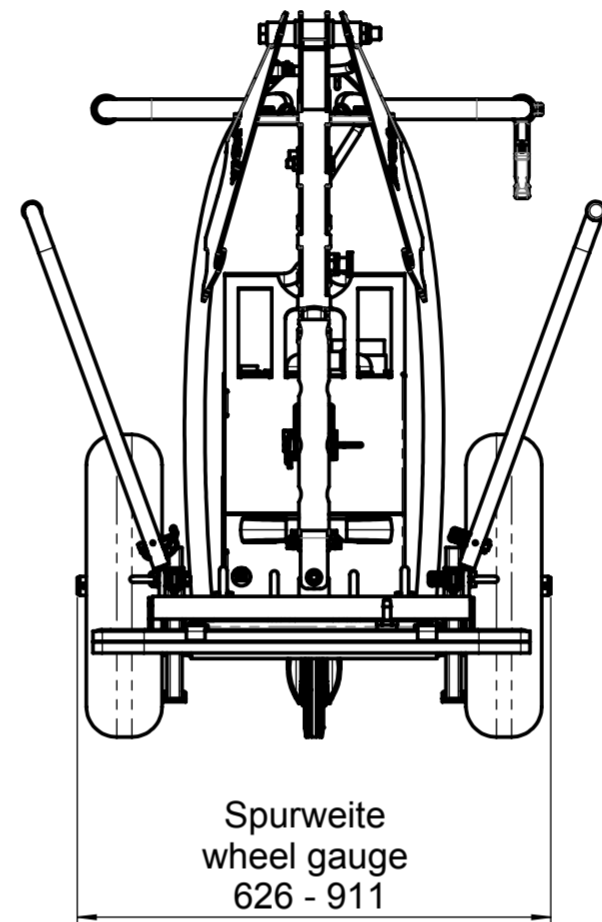
ca. 961

ca. 1988

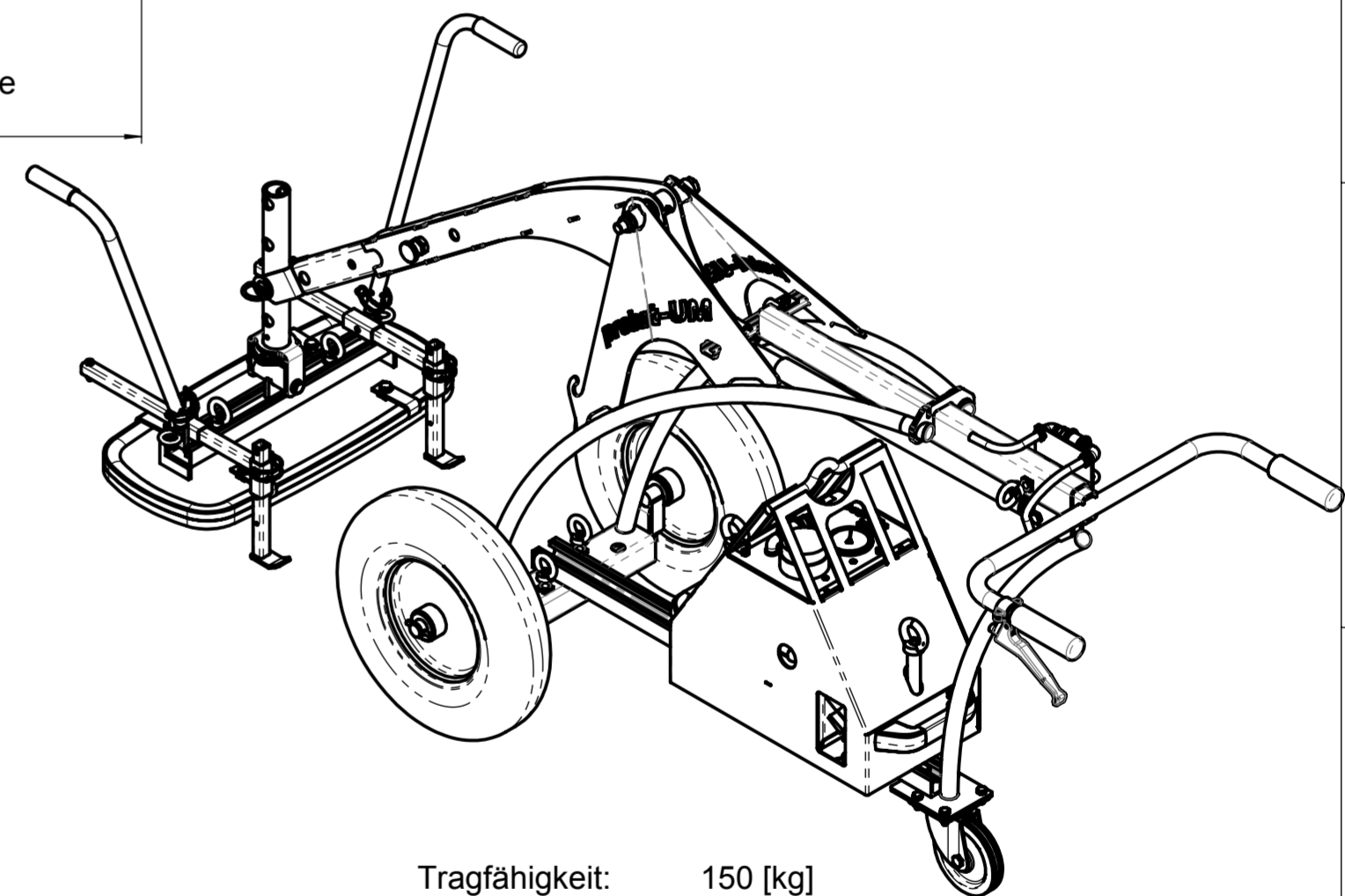
ca. 175

Option Saugplatte
option suction plate

Option VACUUM-STEINMAGNET
option VACUUM-STONEMAGNET

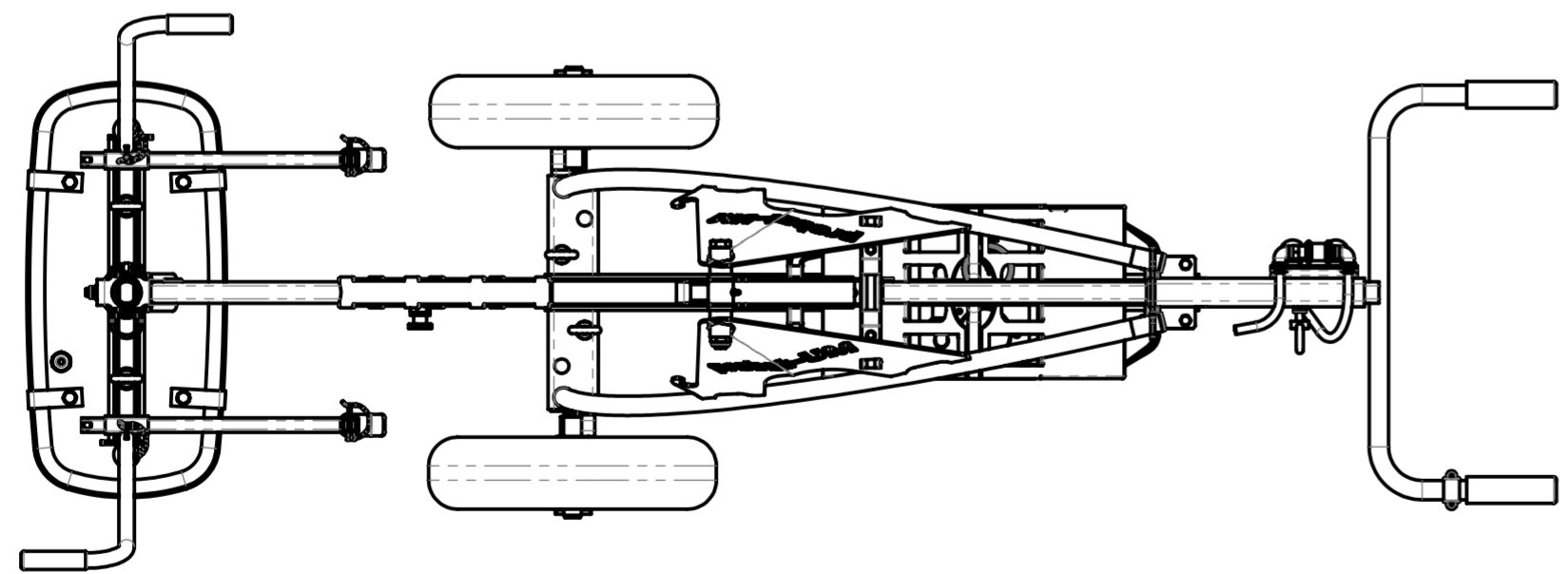


Spurweite
wheel gauge
626 - 911



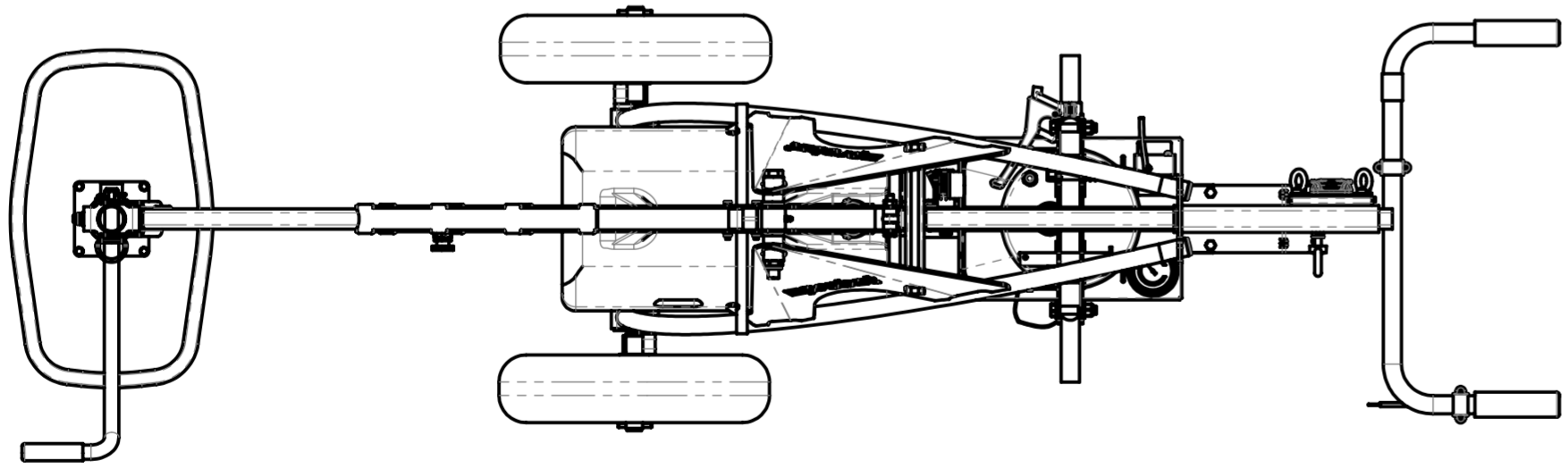
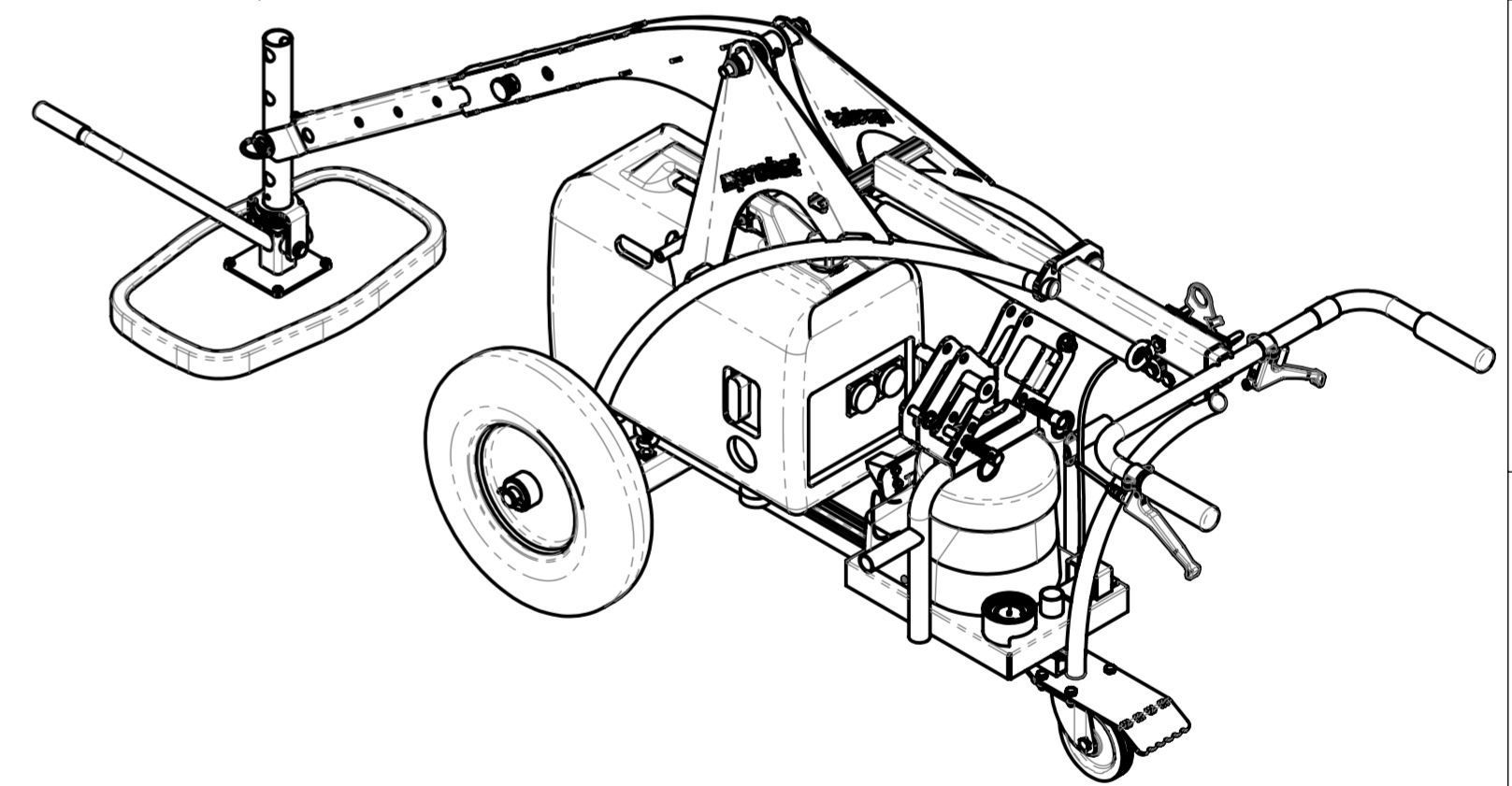
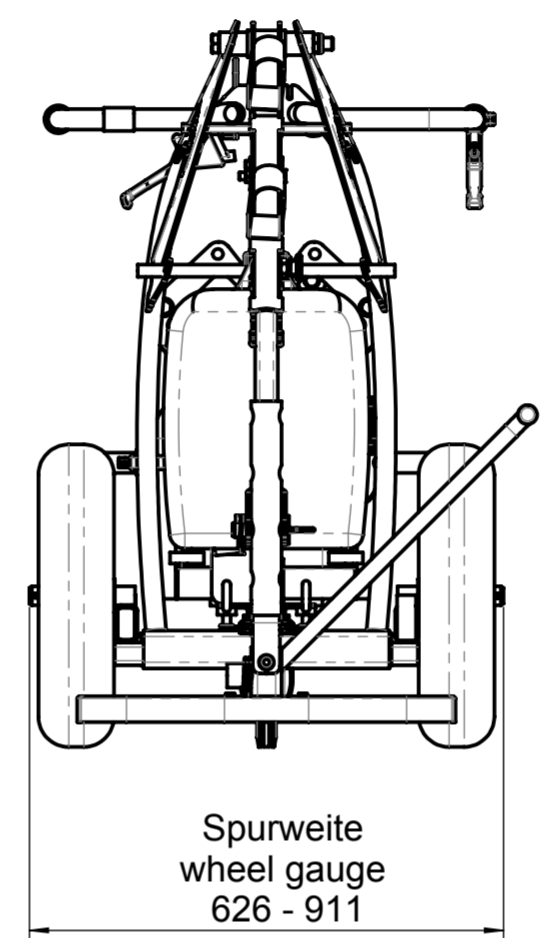
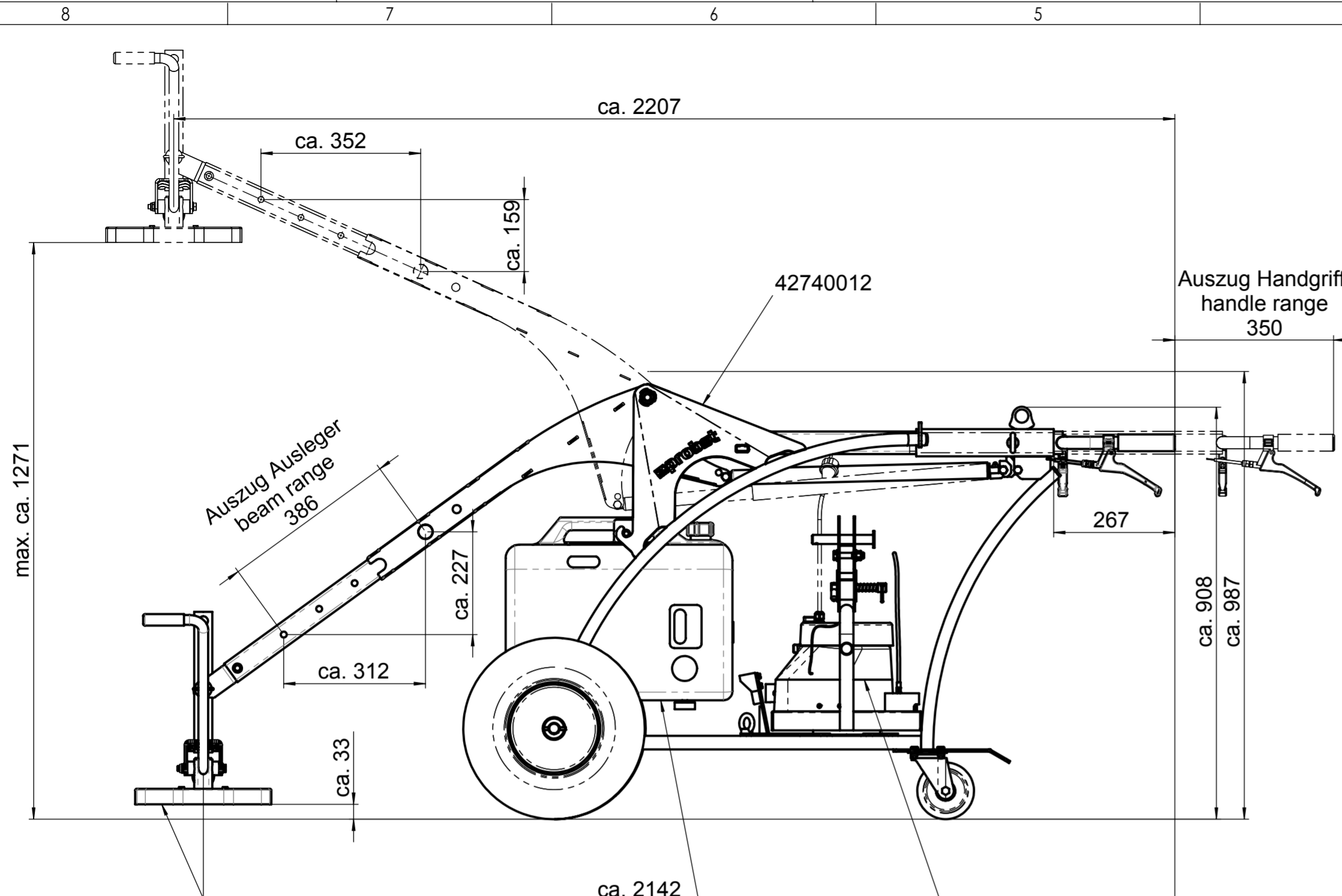
Tragfähigkeit: 150 [kg]

Carrying Capacity: 150 [kg] / (330 [lbs.])



UNIMOBIL UM-SM Laying dolly - basic version

		Bei Änderungen Rücksprache TB !							
		Gewicht: 99 kg							
Schutzvermerk nach DIN 34 beachten! Nachdruck nur mit unserer Genehmigung!		Benennung							
<table border="1"> <tr> <th>Datum</th> <th>Name</th> </tr> <tr> <td>Erst. 27.5.2013</td> <td>Ralf.Northe</td> </tr> <tr> <td>Gepr. 27.5.2013</td> <td>Ralf.Northe</td> </tr> </table>		Datum	Name	Erst. 27.5.2013	Ralf.Northe	Gepr. 27.5.2013	Ralf.Northe	Uni Mobil UM-SM Verlegewagen - Basisgerät	
Datum	Name								
Erst. 27.5.2013	Ralf.Northe								
Gepr. 27.5.2013	Ralf.Northe								
WA:	Artikelnummer/Zeichnungsnummer	Blatt							
Kunde:	D42740011	1							
Zust. Urspr.	Ers. f.	von 1							
	Ers. d.								



Option Saugplatte /
option suction plate

Option Stromerzeuger /
option generator

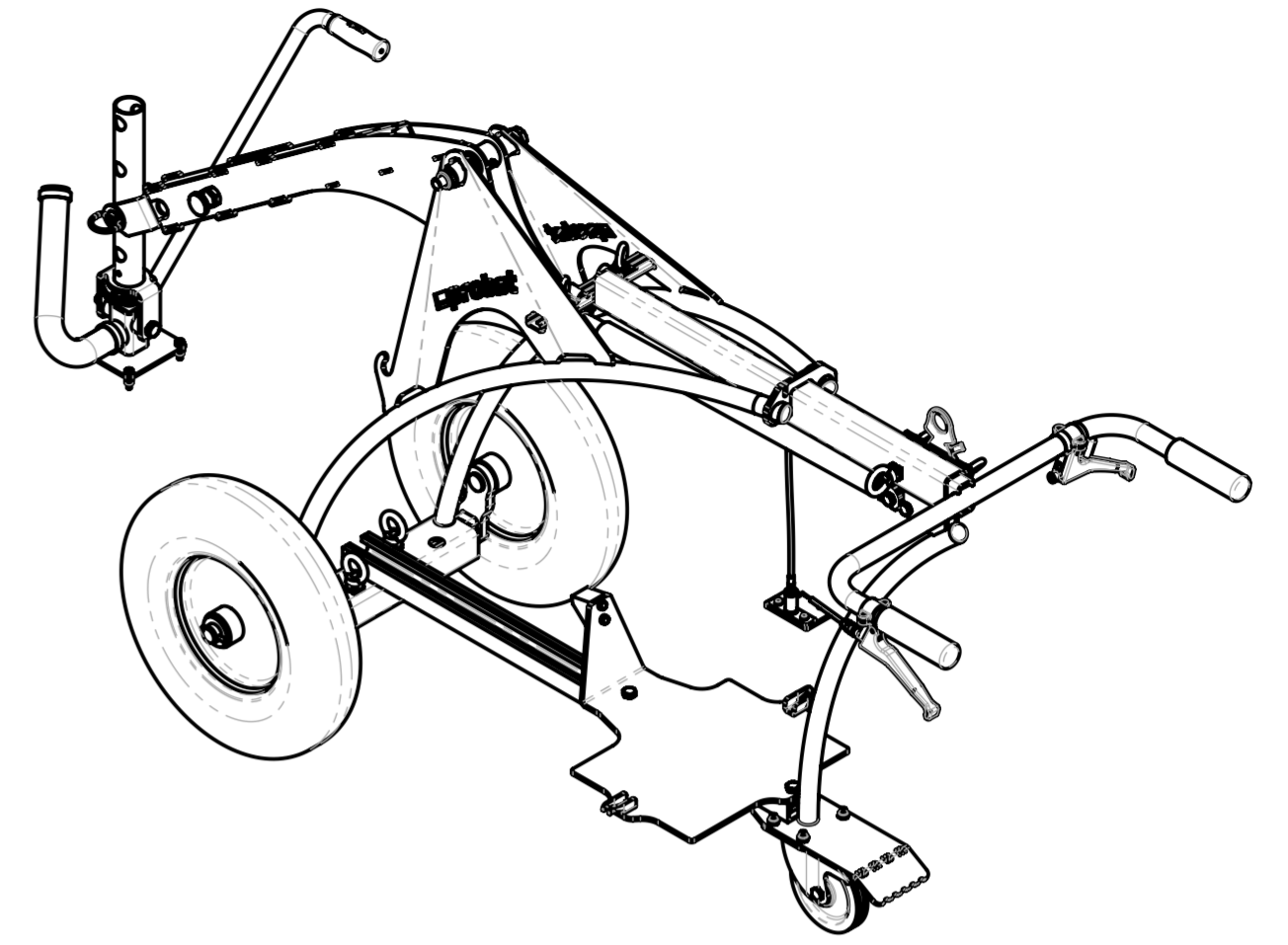
Option SPEEDY VS-140 /
option SPEEDY VS-140

Tragfähigkeit: 150 [kg]
Carrying Capacity: 150 [kg] / (330 [lbs.])

UNIMOBIL UM-VS-S/SE Laying dolly - basic version

Eigengewichte / Dead weights:
UN-VS-S: 64 kg / 140 lbs
UN-VS-S/SE-H: 84 kg / 185 lbs
UN-VS-S/SE-K: 82,5 kg / 182 lbs

 the better solution		Bei Änderungen Rücksprache TB !	
		Gewicht:	
Schutzvermerk nach DIN 34 beachten! Nachdruck nur mit unserer Genehmigung!		Benennung	
Datum Erst. 27.5.2013 Name Ralf Northe		UNIMOBIL UM-VS-140 / SE Verlegewagen - Basisgerät	
WA:		Artikelnummer/Zeichnungsnummer	
Kunde:		D42740012	
Zust.	Urspr.	Ers. f.	Ers. d.
		Blatt 1 von 1	



42720225
siehe separate Liste
see separate list

42720226
siehe separate Liste
see separate list

42720235
siehe separate Liste
see separate list

42720373
siehe separate Liste
see separate list

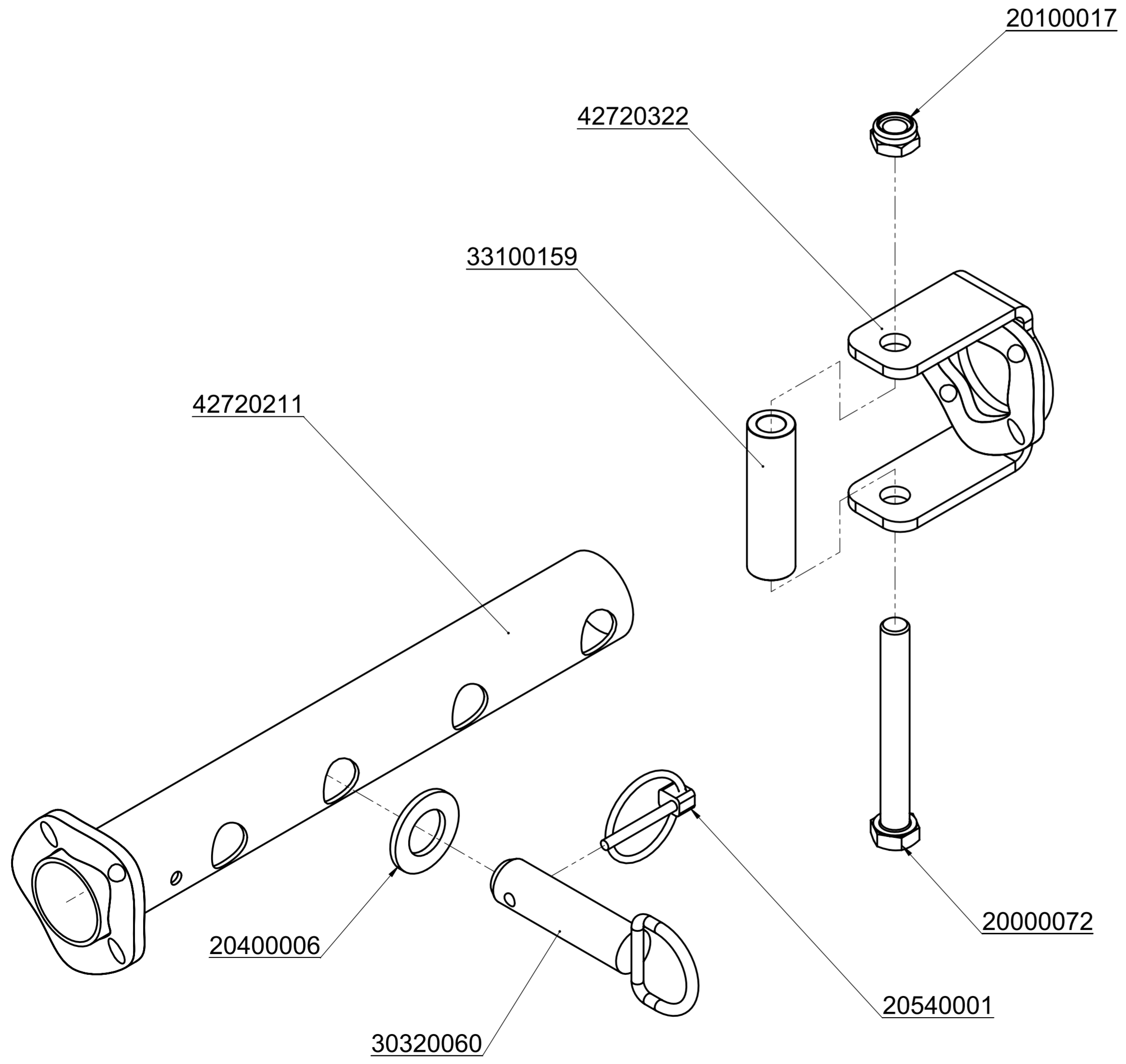
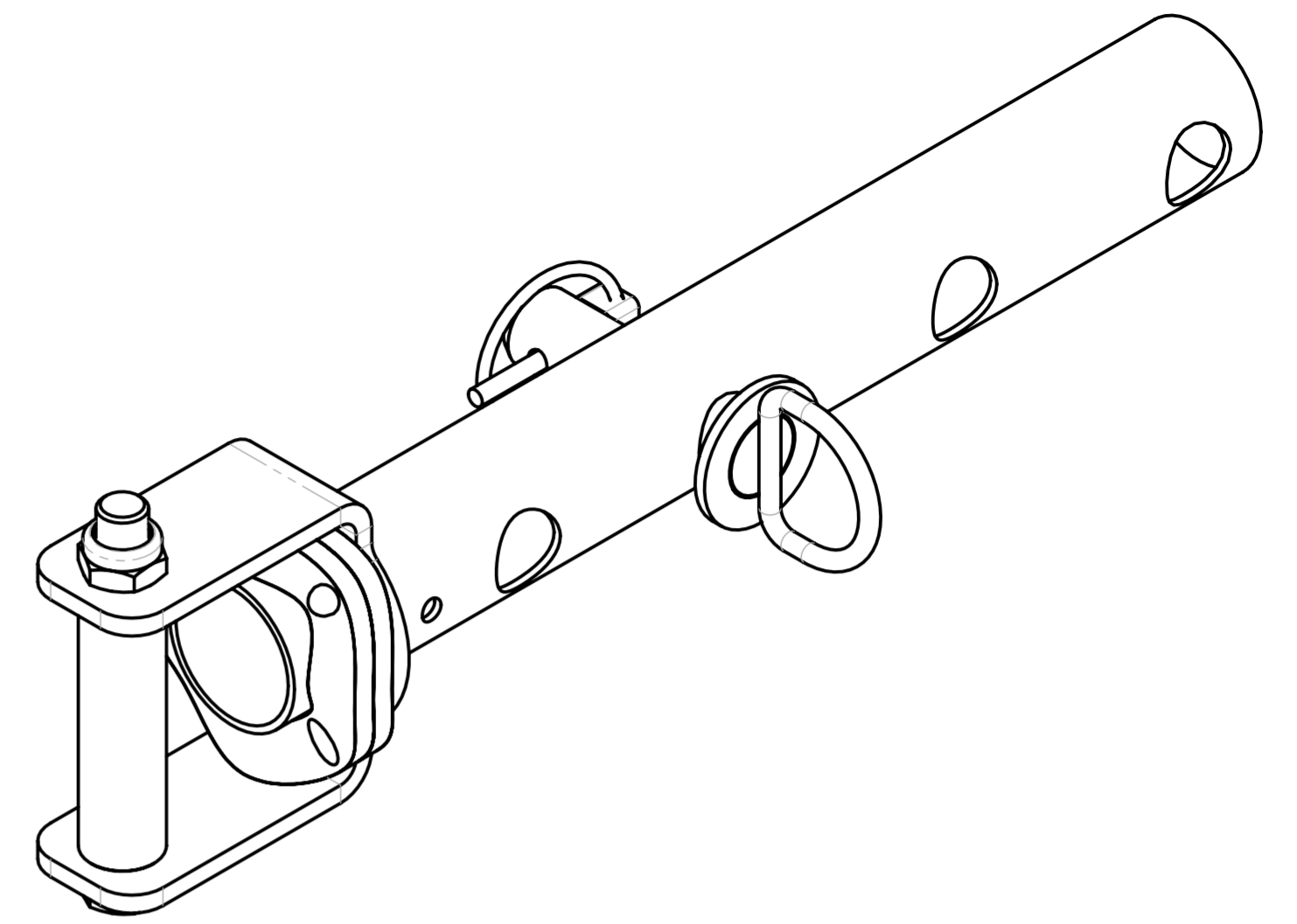
21060014

42720400
siehe separate Liste
see separate list



© all rights reserved conform to ISO 16016

		Datum	Name	Benennung
Erst.	17.4.2019	R.Seidel		Verlegewagen Uni Mobil UM Grundmodul
Gepr.	24.7.2019	R.Seidel		ohne Unterdruckerzeuger, ohne Saugplatte
				Artikelnummer/Zeichnungsnummer
				E42740017
Zust.	Urspr.	Ers. f.	Ers. d.	Blatt 1 von 1



			© all rights reserved conform to ISO 16016	
			Benennung	
			Drehaufhängung SM+Speedy VS zu UM	
			Artikelnummer/Zeichnungsnummer	
			E42720225	
			Blatt	
			1	
			von 1	
Zust.	Urspr.	Ers. f.	Ers. d.	

8 7 6 5 4 3 2 1

8 7 6 5 4 3 2 1

F
E
D
C
B
A

F
E
D
C
B
A

21060014

21060014

21060014

21050192

25200028

20000003

20400001

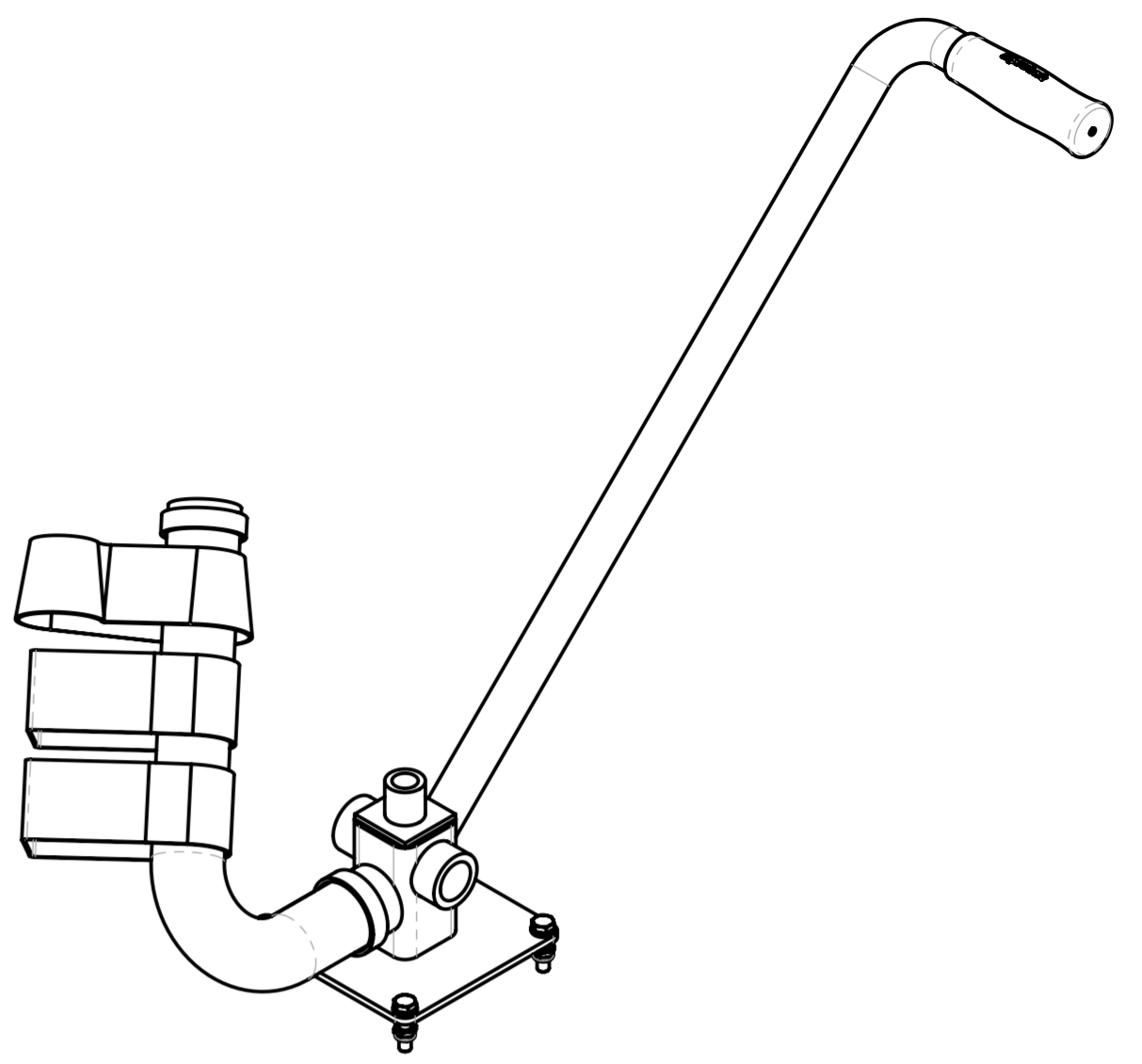
21050192

20100014

42720220

42720220

21600005



© all rights reserved conform to ISO 16016

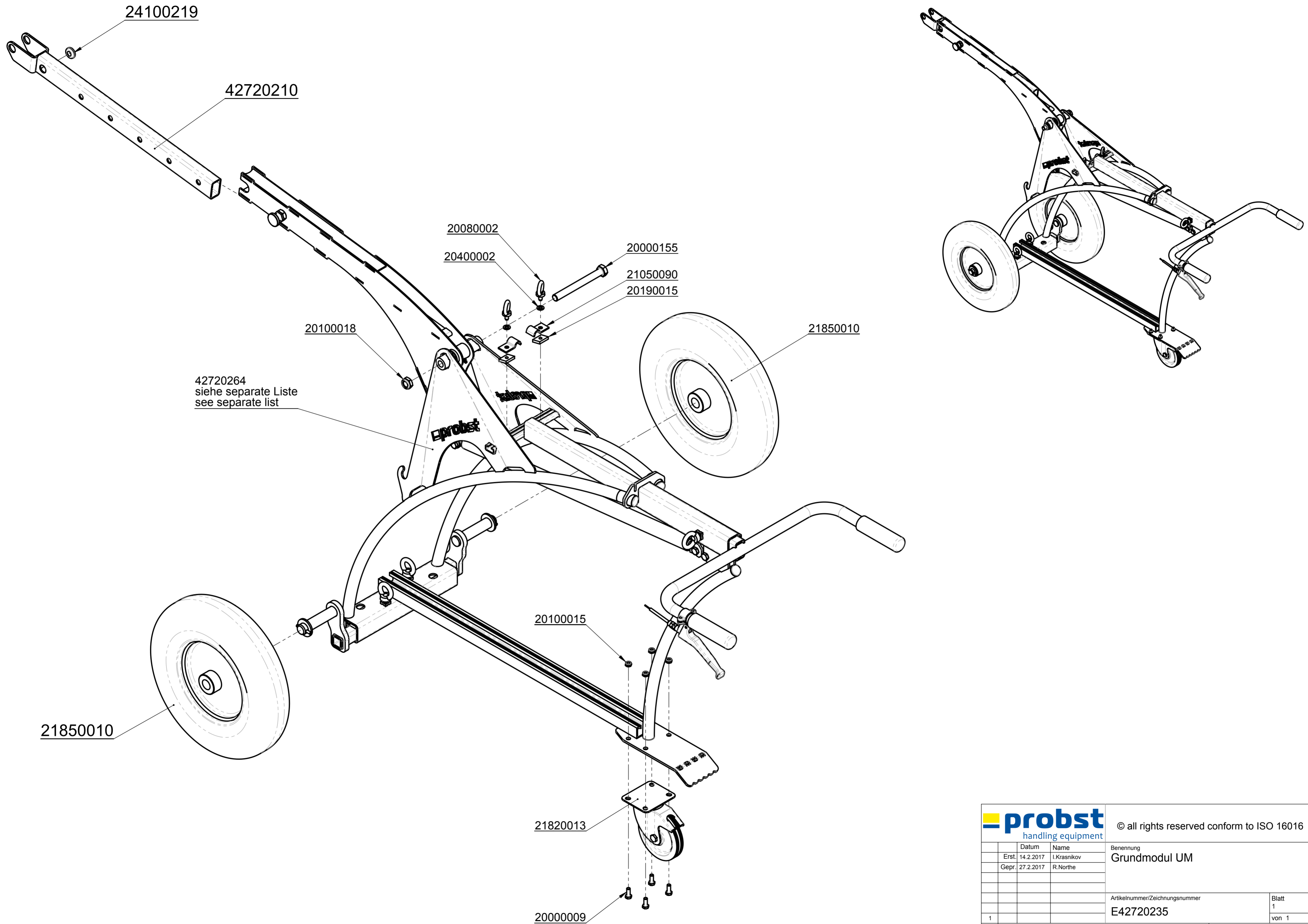
	Datum	Name
Erst.	14.9.2012	Ralf.Northe
Gepr.	24.7.2019	R.Seidel
5		
4		
3		
2		
1		
Zust.	Urspr.	Ers. f.

Benennung
Adapter Saugplatte Speedy VS zu UM

Artikelnummer/Zeichnungsnummer
E42720226

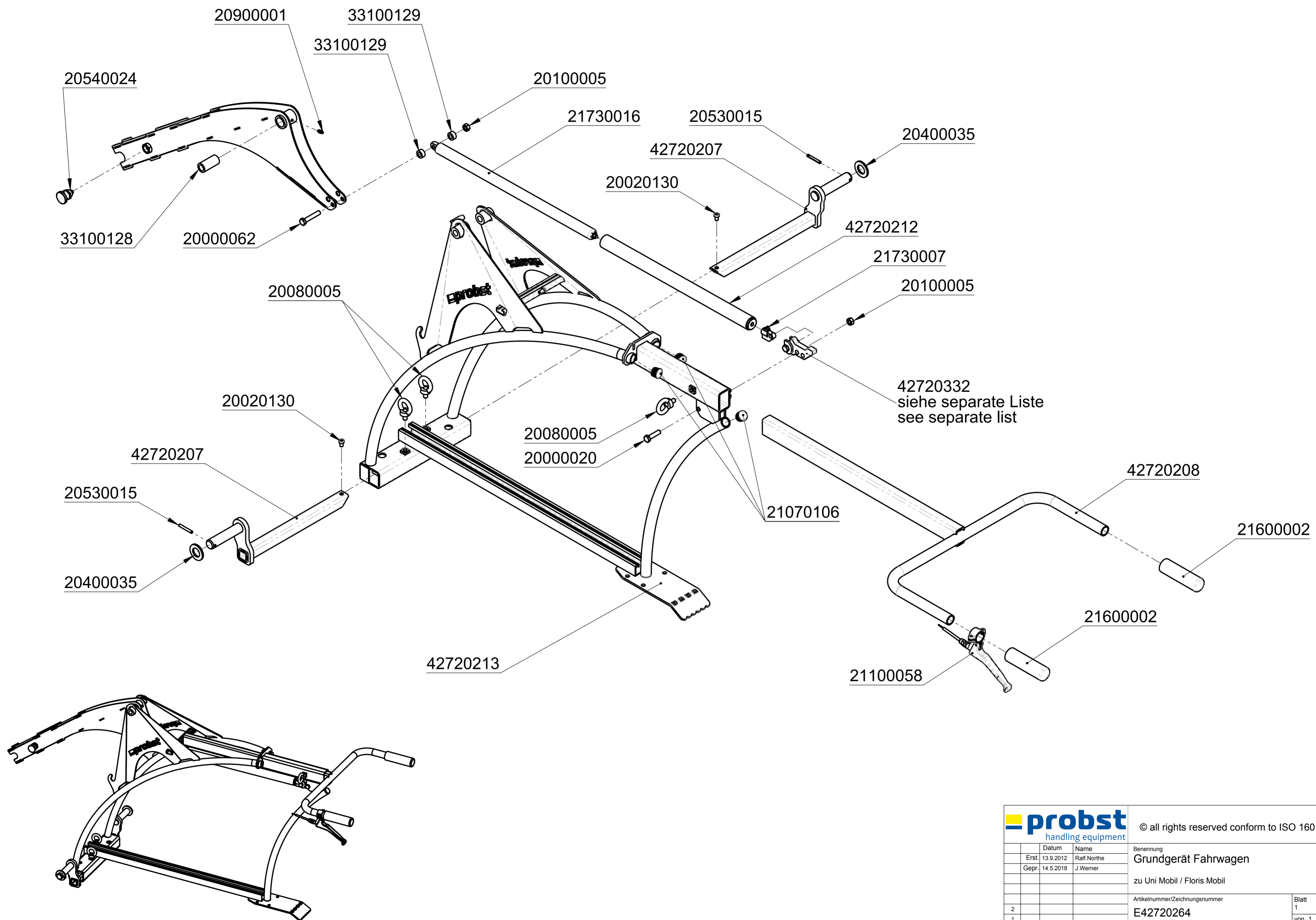
Blatt
1
von 1

Ers. d.



42720264
siehe separate Liste
see separate list

		© all rights reserved conform to ISO 16016							
<table border="1"> <thead> <tr> <th>Datum</th> <th>Name</th> </tr> </thead> <tbody> <tr> <td>Erst. 14.2.2017</td> <td>I.Krasnikov</td> </tr> <tr> <td>Gepr. 27.2.2017</td> <td>R.Northe</td> </tr> </tbody> </table>		Datum	Name	Erst. 14.2.2017	I.Krasnikov	Gepr. 27.2.2017	R.Northe	Benennung Grundmodul UM	
Datum	Name								
Erst. 14.2.2017	I.Krasnikov								
Gepr. 27.2.2017	R.Northe								
Artikelnummer/Zeichnungsnummer E42720235		Blatt 1 von 1							
Zust.	Urspr.	Ers. f.	Ers. d.						



		© all rights reserved conform to ISO 16016	
	Datum	Name	Benennung
	Erst. 13.9.2012	Ralf Northe	Grundgerät Fahrwagen
	Gepr. 14.5.2018	J.Werner	zu Uni Mobil / Floris Mobil
			Artikelnummer/Zeichnungsnummer
			E42720264
			Blatt 1 von 1
Zust.	Urspr.	Ers. f.	Ers. d.

8

7

6

5

4

3

2

1

F

F

E

E

D

D

C

C

B

B

A

A

8

7

6

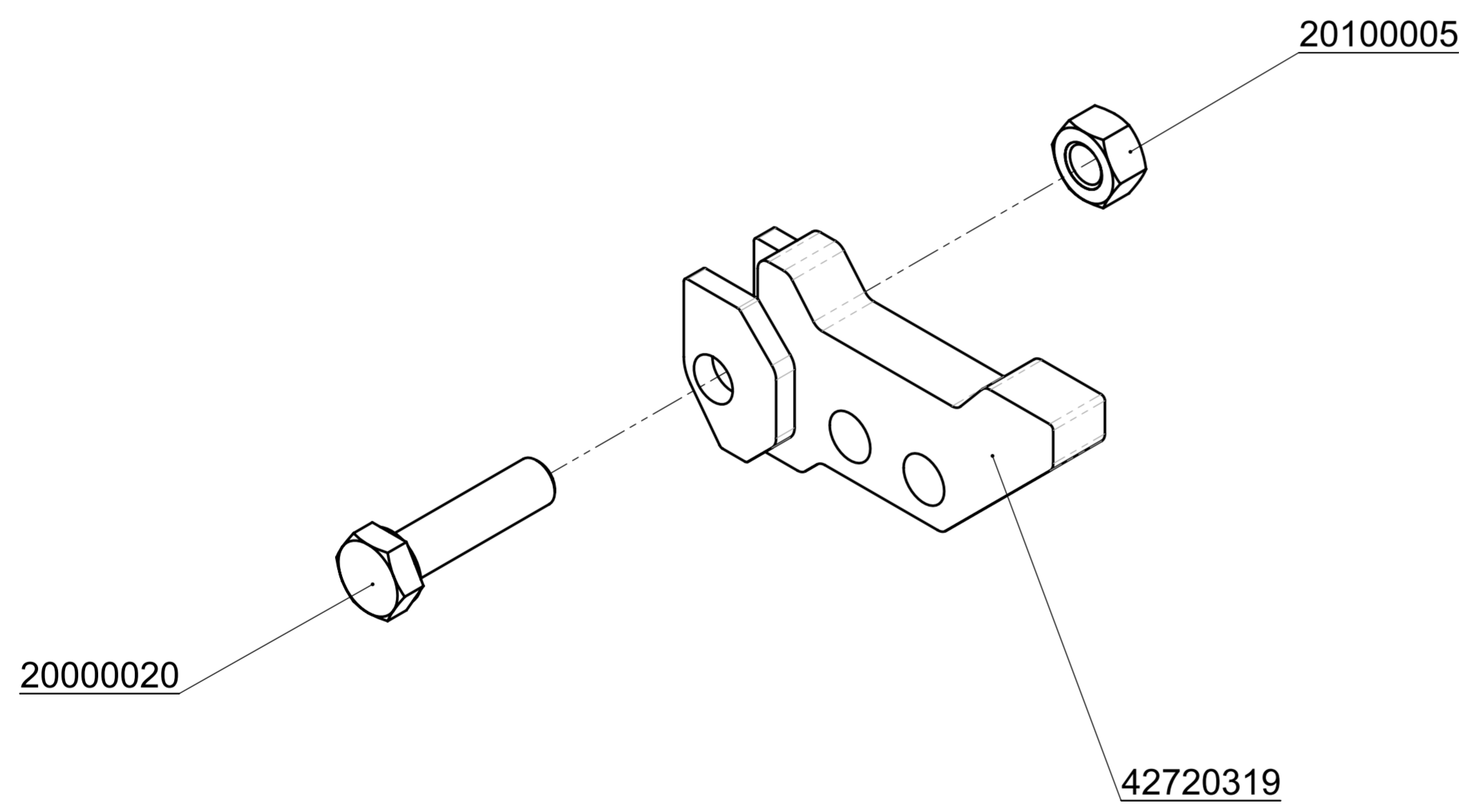
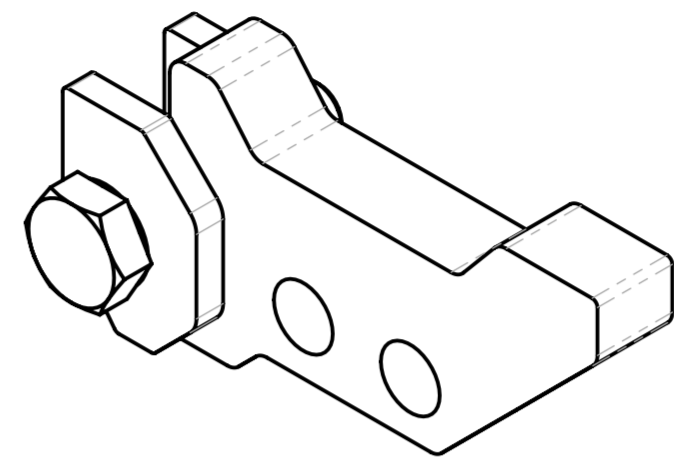
5

4

3

2

1



© all rights reserved conform to ISO 16016

	Datum	Name
Erst.	24.7.2019	R.Seidel
Gepr.	24.7.2019	R.Seidel
Zust.	Urspr.	

Benennung
Hubadapter zu UM UNI MOBIL
kpl. Baugruppe nachrüstbar

Artikelnummer/Zeichnungsnummer		Blatt
E42720332		1
		von 1
Ers. f.	Ers. d.	

8

7

6

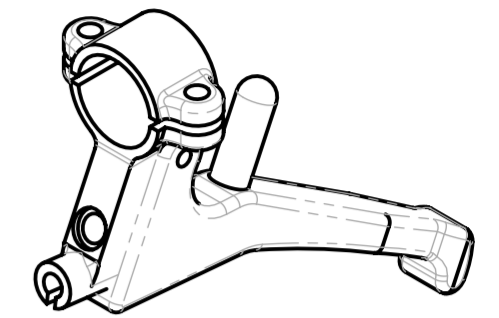
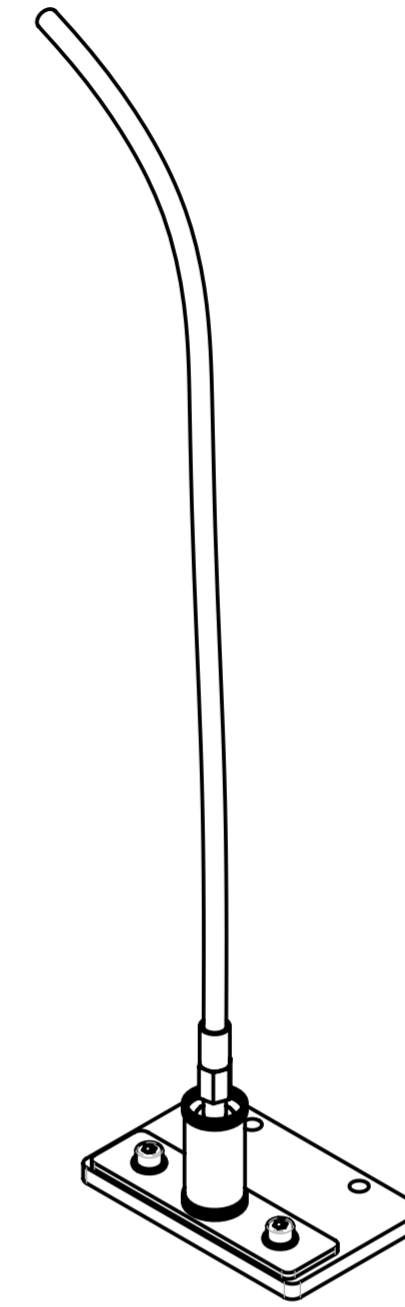
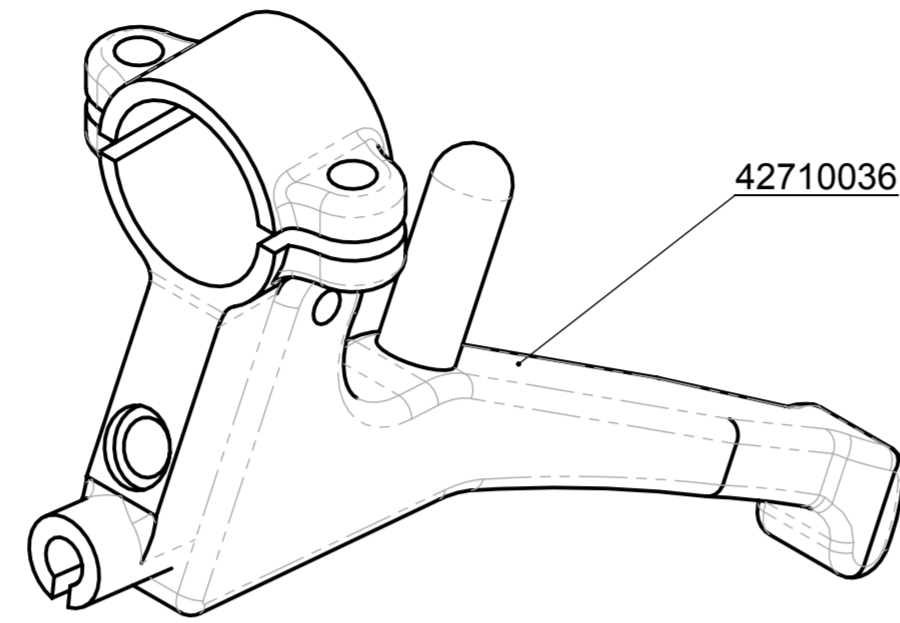
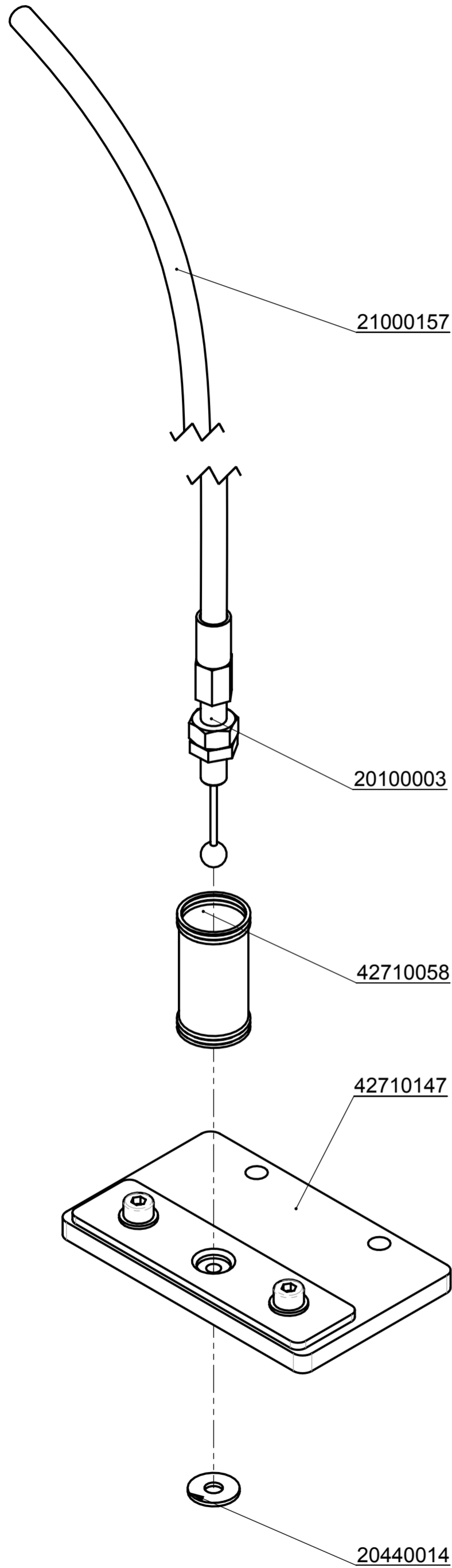
5

4

3

2

1



© all rights reserved conform to ISO 16016

		Datum	Name	Benennung	
Erst.	27.2.2017	I.Krasnikov		Bowdenzug 1,5m kpl. mit Handgriff zur Nachrüstung an UNIMOBIL-UM-VS-140/200	
Gepr.	27.2.2017	I.Krasnikov			
Artikelnummer/Zeichnungsnummer				Blatt	
E42720373				1	
Zust. Urspr.				von 1	
Ers. f.				Ers. d.	

8

7

6

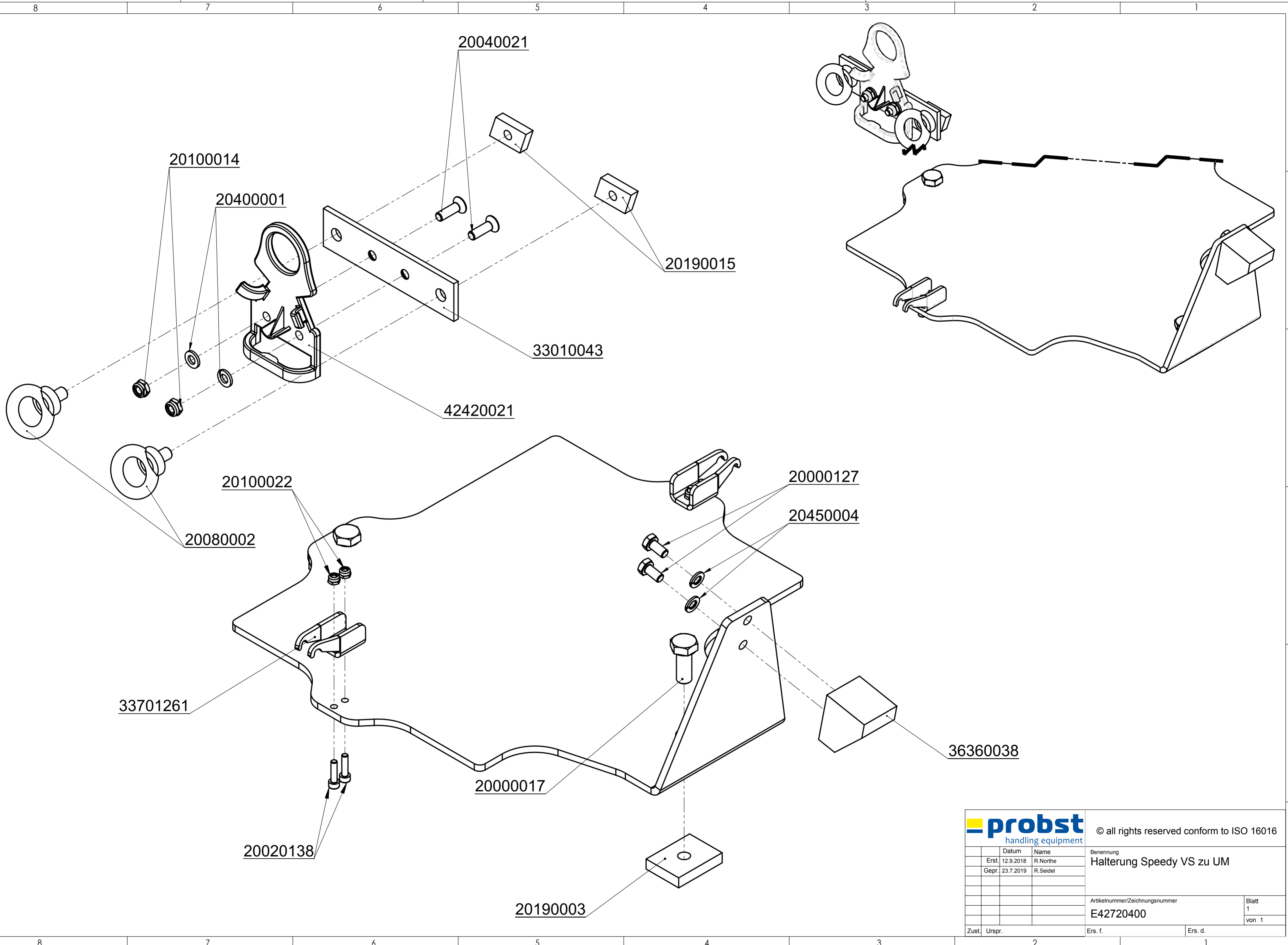
5

4

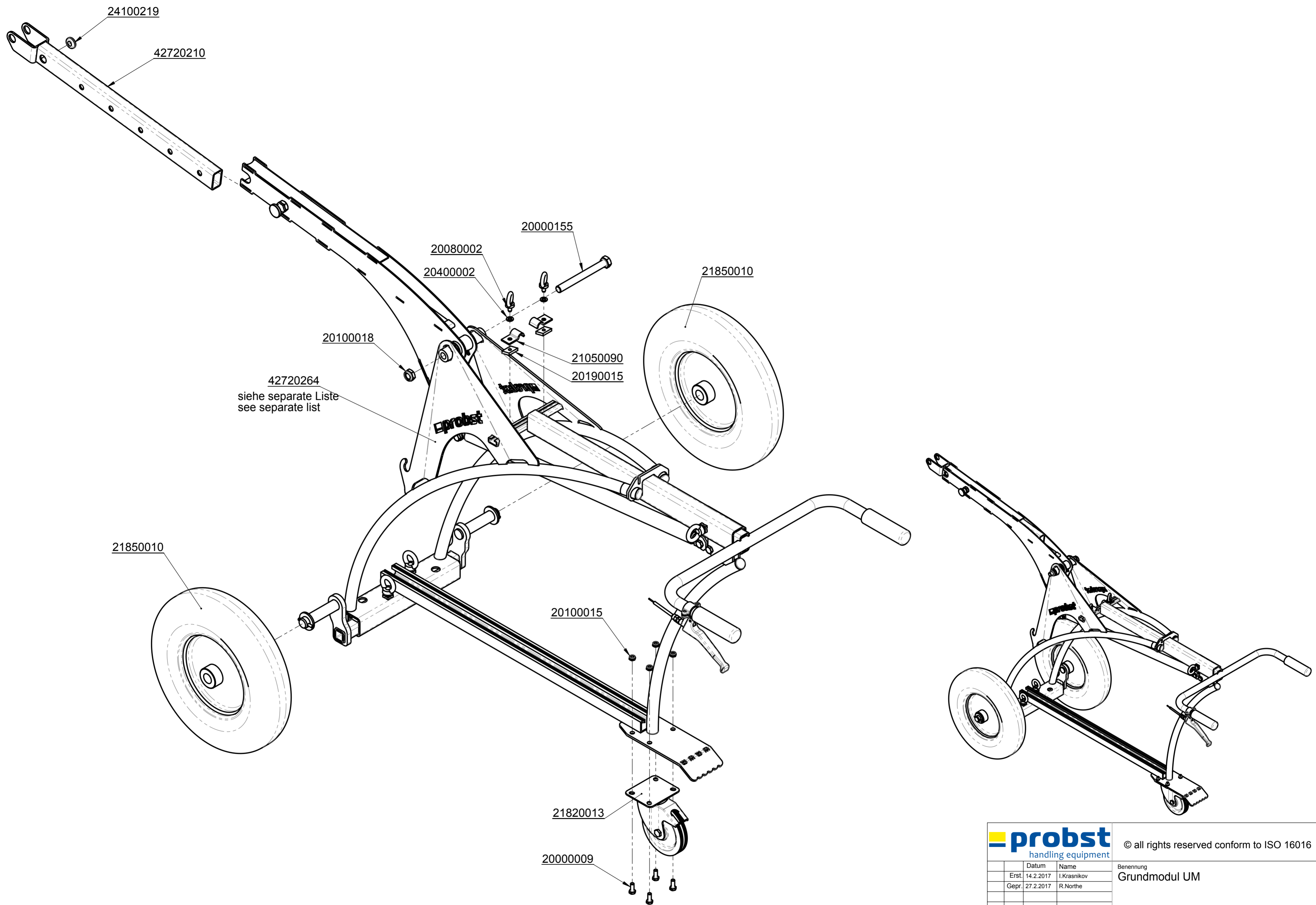
3

2

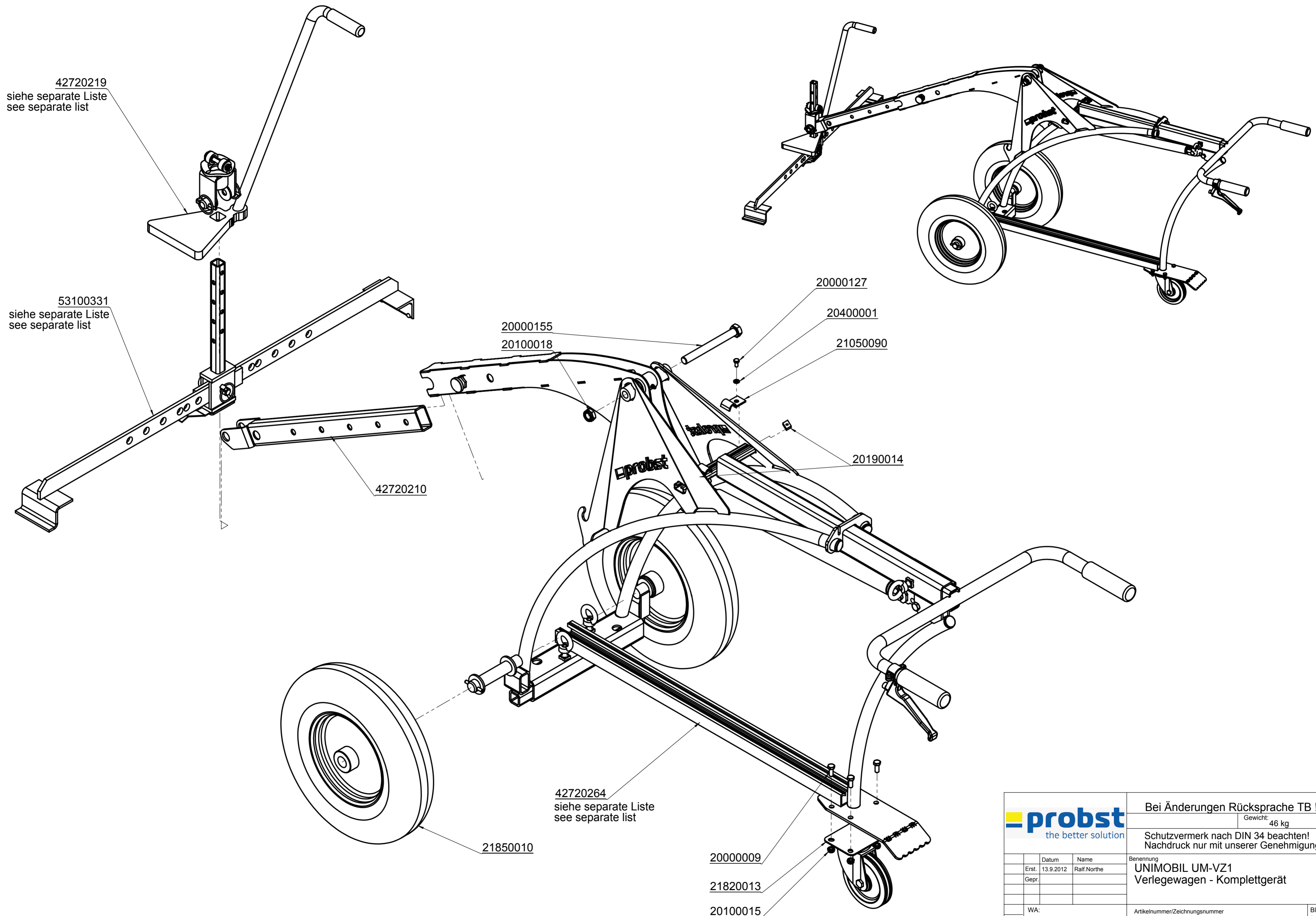
1



		© all rights reserved conform to ISO 16016	
		Benennung	
Erst. 12.9.2018		R.Northe	
Gepr. 23.7.2019		R.Seidel	
Zust. Urspr.		Ers. f.	
Ers. d.		Ers. d.	
Artikelnummer/Zeichnungsnummer			Blatt
E42720400			1
			von 1



		© all rights reserved conform to ISO 16016	
		Benennung	
		Grundmodul UM	
		Artikelnummer/Zeichnungsnummer	
		E42720235	
		Blatt	
		1	
		von 1	
Zust.	Urspr.	Ers. f.	Ers. d.



42720219
siehe separate Liste
see separate list

53100331
siehe separate Liste
see separate list

42720210

20000155
20100018

20000127

20400001

21050090

20190014

42720264
siehe separate Liste
see separate list

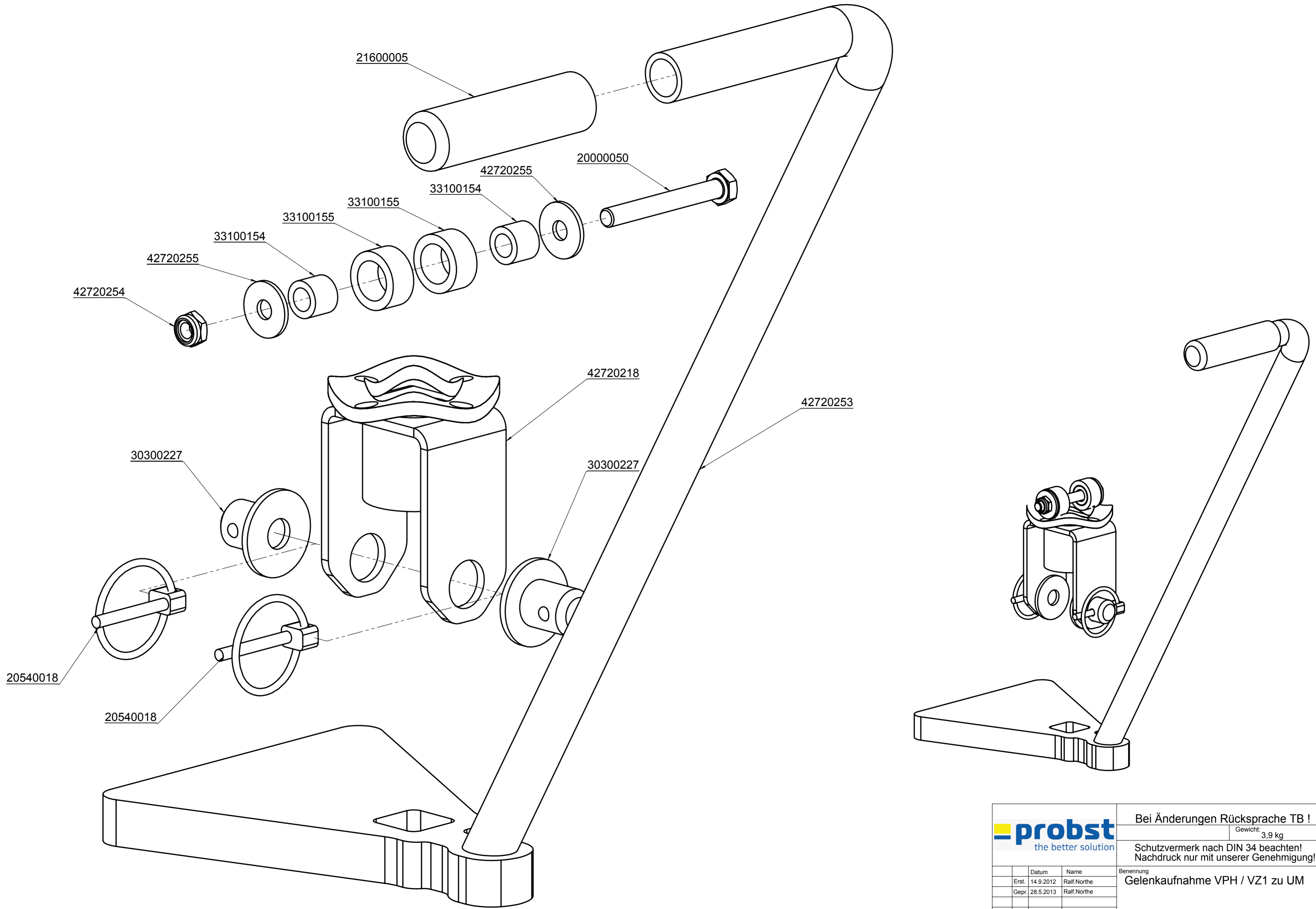
21850010


20000009

21820013

20100015

		Bei Änderungen Rücksprache TB !	
		Gewicht: 46 kg	
		Schutzvermerk nach DIN 34 beachten! Nachdruck nur mit unserer Genehmigung!	
		Benennung UNIMOBIL UM-VZ1 Verlegewagen - Komplettgerät	
WA:		Artikelnummer/Zeichnungsnummer	
Kunde:		E52740015	
Zust. Urspr.		Ers. f. Ers. d.	
		Blatt 1 von 1	



		Bei Änderungen Rücksprache TB !	
		Gewicht: 3,9 kg	
		Schutzvermerk nach DIN 34 beachten! Nachdruck nur mit unserer Genehmigung!	
		Benennung	
		Gelenkaufnahme VPH / VZ1 zu UM	
		Artikelnummer/Zeichnungsnummer	
		E42720219	
		Blatt	
		1	
		von 1	
WA:		Ers. f.	
Kunde:		Ers. d.	
Zust. Urspr.			

8 7 6 5 4 3 2 1

F

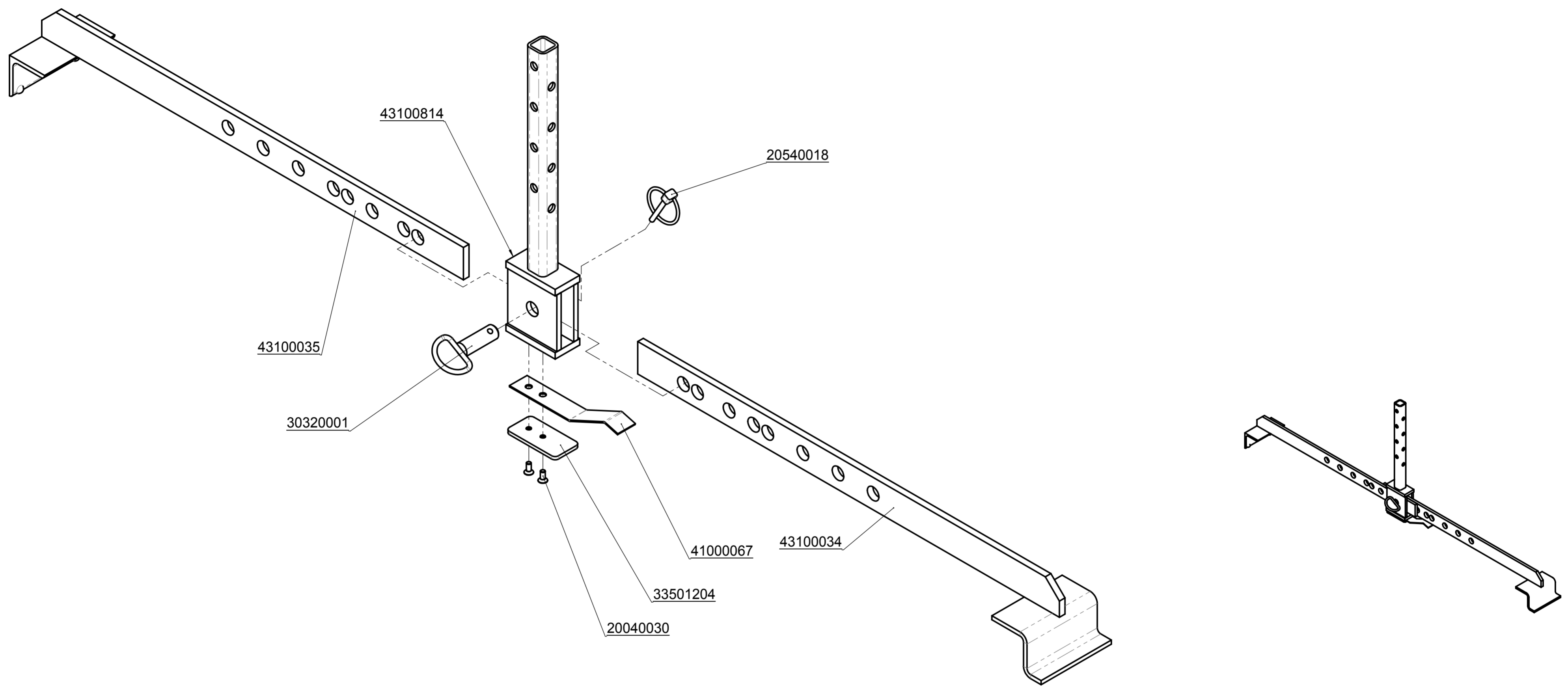
E

D

C

B

A



Bei Änderungen Rücksprache TB !

probst
Greiftechnik - Verlegesysteme

Gewicht: 5,1 kg

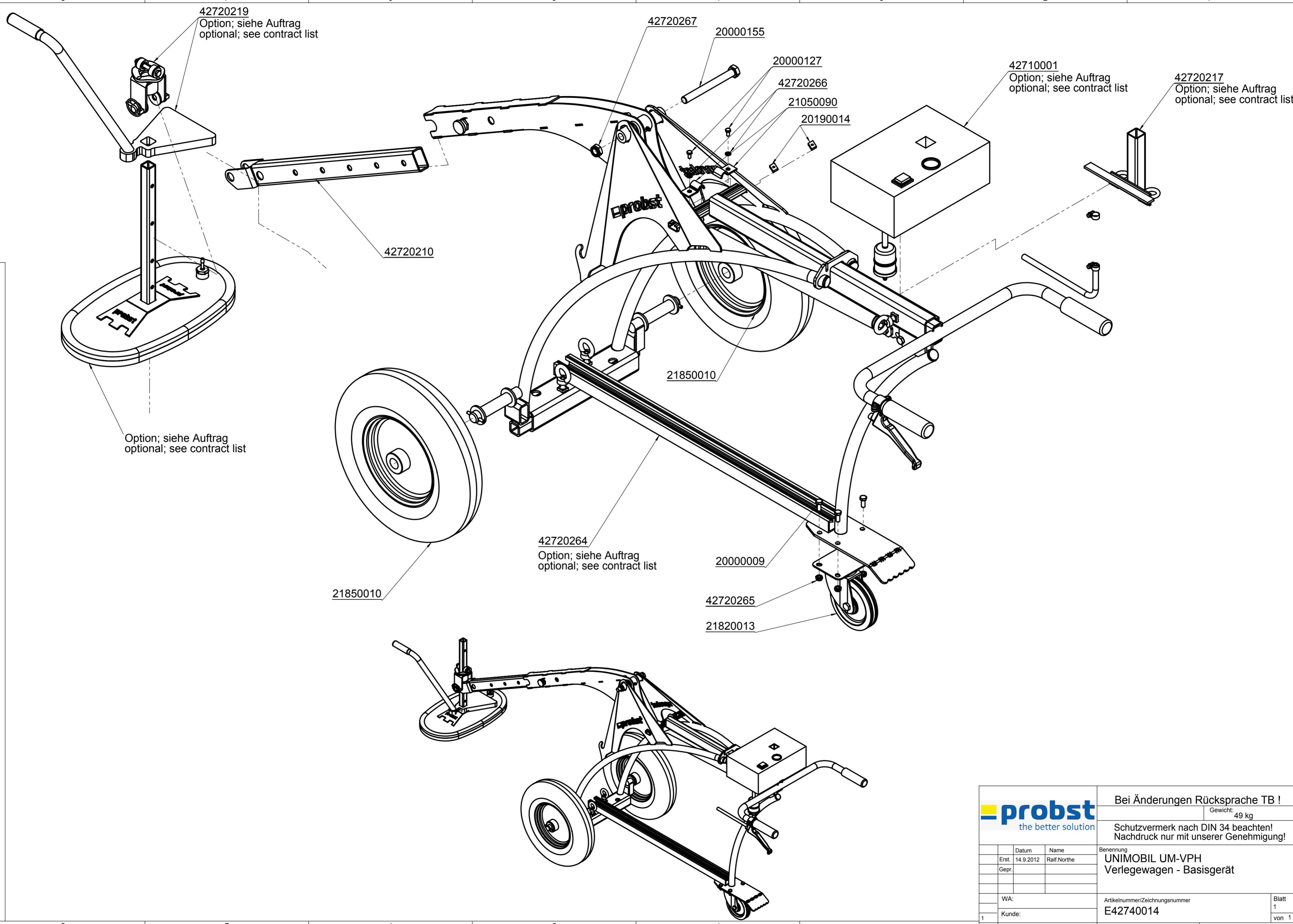
Schutzvermerk nach DIN 34 beachten!
Nachdruck nur mit unserer Genehmigung!


Benennung	
Versetzzange VZ zu Uni Mobil UM	
Datum	Name
Erst. 16.3.2009	Ralf Northe
Gep.	
WA:	
Kunde:	
Zust. Urspr. H020-10001	Ers. f. Ers. d.

Artikelnummer/Zeichnungsnummer
E53100331

Blatt
1
von 1

8 7 6 5 4 3 2 1



		Bei Änderungen Rücksprache TB !	
		Gewicht: 49 kg	
		Schutzvermerk nach DIN 34 beachten! Nachdruck nur mit unserer Genehmigung!	
	Datum	Name	
Erst.	14.9.2012	Ralf Northe	
Gepr.			
		Benennung	
		UNIMOBIL UM-VPH Verlegewagen - Basisgerät	
WA:		Artikelnummer/Zeichnungsnummer	
Kunde:		E42740014	
1	Zust.	Urspr.	Ers. f.
		Ers. d.	
		Blatt 1 von 1	

Option; siehe Auftrag
option; see contract list

2000090

20000127

20400001

21050090

20190014

42720215
siehe separate Liste
see separate list

20100018

probst

42720225
siehe separate Liste
see separate list

42720214
siehe separate Liste
see separate list

20000009

20100015

21820013

42720264
siehe separate Liste
see separate list

Option; siehe Auftrag
optional; see contract list

21850010



Bei Änderungen Rücksprache TB !

Gewicht: 49 kg

Schutzvermerk nach DIN 34 beachten!
Nachdruck nur mit unserer Genehmigung!

	Datum	Name
Erst.	17.9.2012	Ralf Northe
Gepr.		

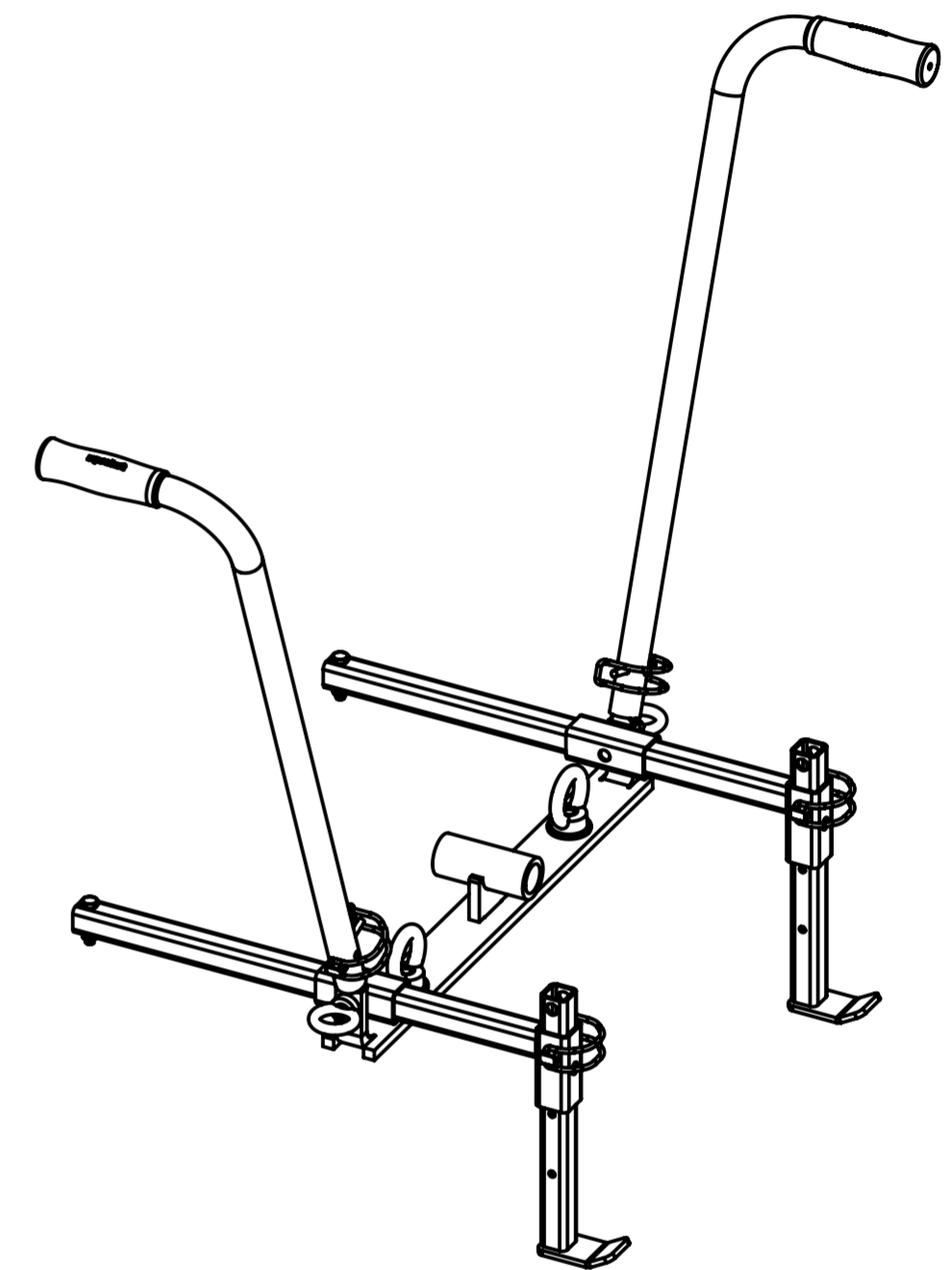
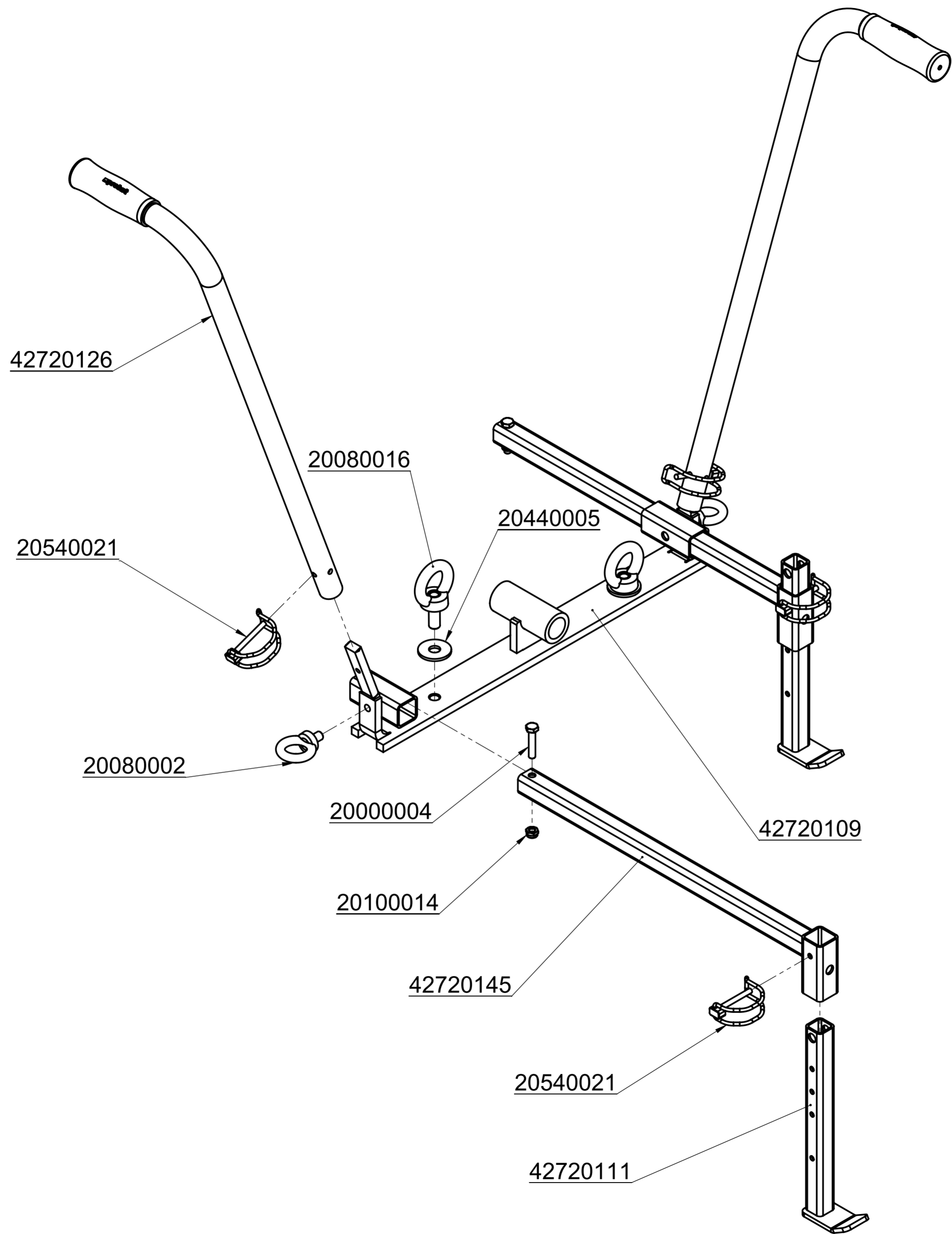
Benennung
UNIMOBIL UM-SM
Verlegewagen - Basisgerät

WA:	
Kunde:	
1	
Zust.	Urspr.

Artikelnummer/Zeichnungsnummer
E42740011

Blatt
1
von 1

Ers. f. Ers. d.



		© all rights reserved conform to ISO 16016	
	Datum	Name	Benennung
Erst.	17.9.2012	Ralf.Northe	Aufnahme für Saugplatte zu UM
Gepr.	27.2.2017	I.Krasnikov	
			Artikelnummer/Zeichnungsnummer
			E42720214
Zust.	Urspr.	Ers. f.	Ers. d.
			Blatt 1 von 1

23070007
siehe separate Liste
see separate list

20080002

20080002

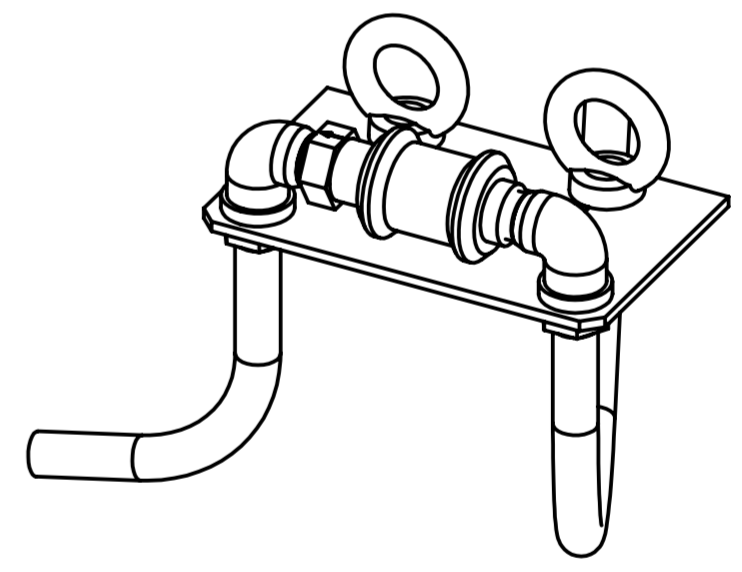
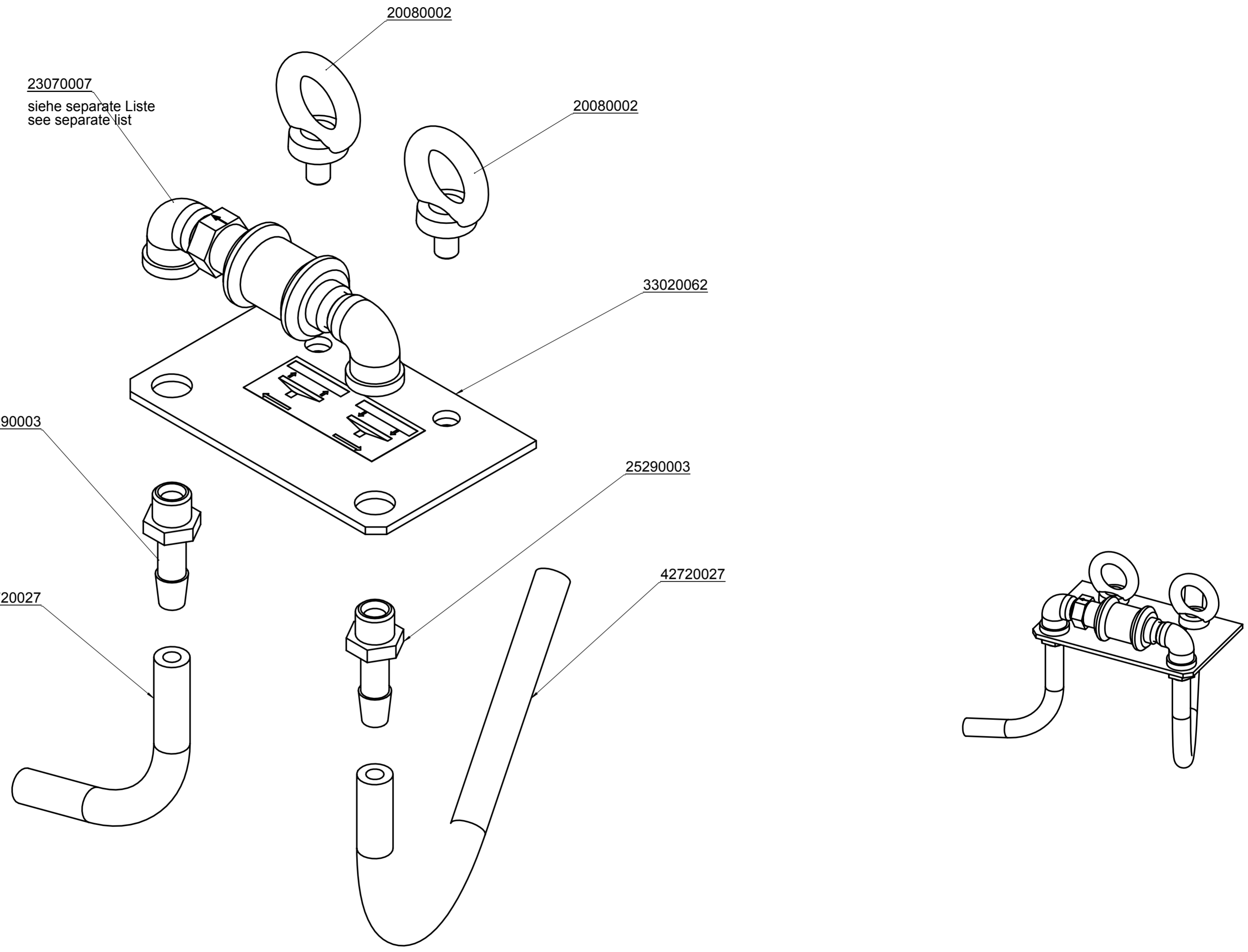
33020062


25290003

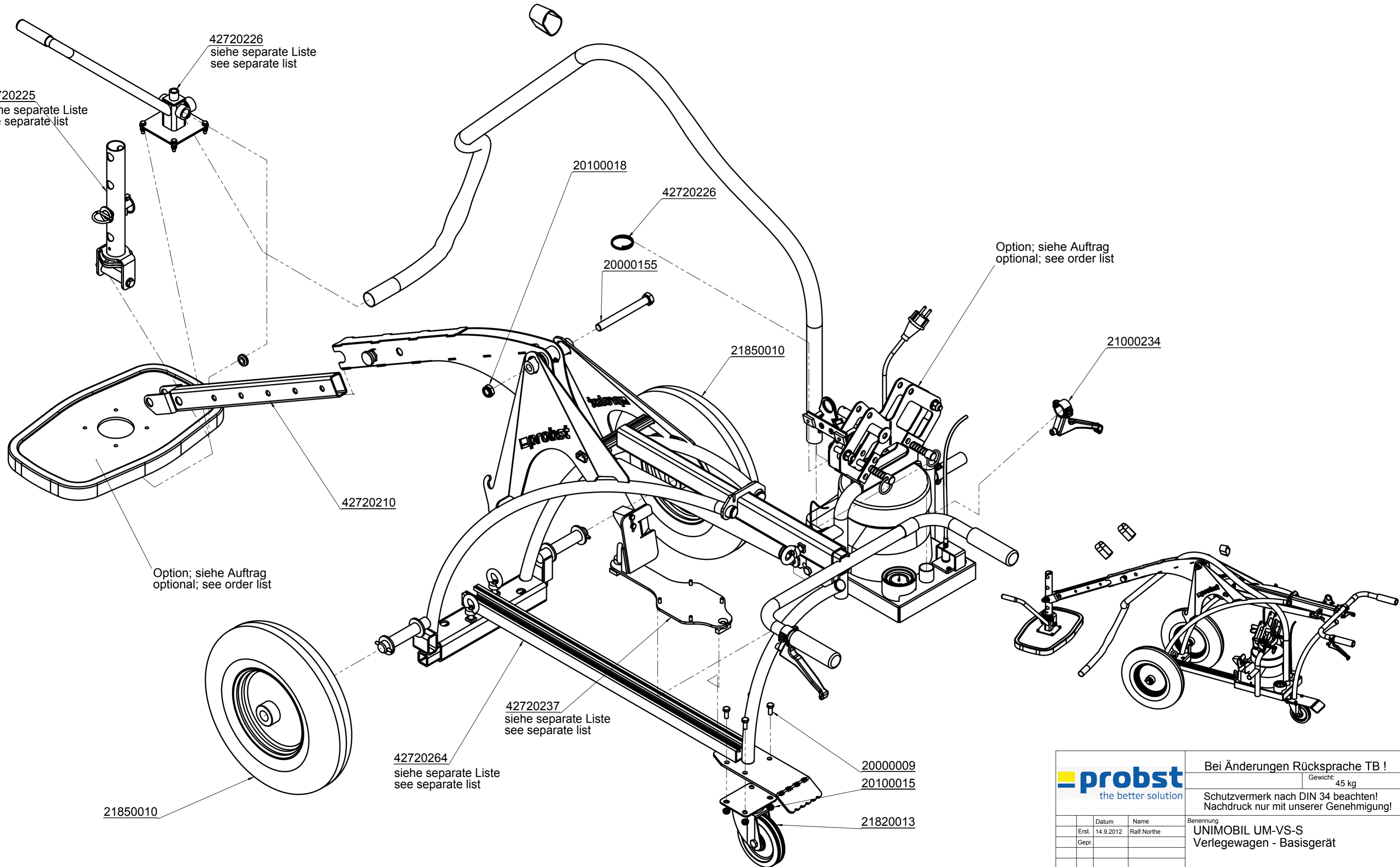
25290003

42720027

42720027



		Bei Änderungen Rücksprache TB !		
		Gewicht: 0,7 kg		
		Schutzvermerk nach DIN 34 beachten! Nachdruck nur mit unserer Genehmigung!		
	Datum	Name	Benennung Anbausatz SM zu UM	
Erst.	17.9.2012	Ralf Northe		
Gepr.				
	WA:	Artikelnummer/Zeichnungsnummer	Blatt 1 von 1	
	Kunde:	E42720215		
1	Zust.	Urspr.	Ers. f.	Ers. d.



		Bei Änderungen Rücksprache TB !	
		Gewicht: 45 kg	
Schutzvermerk nach DIN 34 beachten! Nachdruck nur mit unserer Genehmigung!		Benennung	
UNIMOBIL UM-VS-S Verlegewagen - Basisgerät		Artikelnummer/Zeichnungsnummer	
E42740012		Blatt	
1		1	
von 1		von 1	
Zust.	Urspr.	Ers. f.	Ers. d.

8 7 6 5 4 3 2 1

F

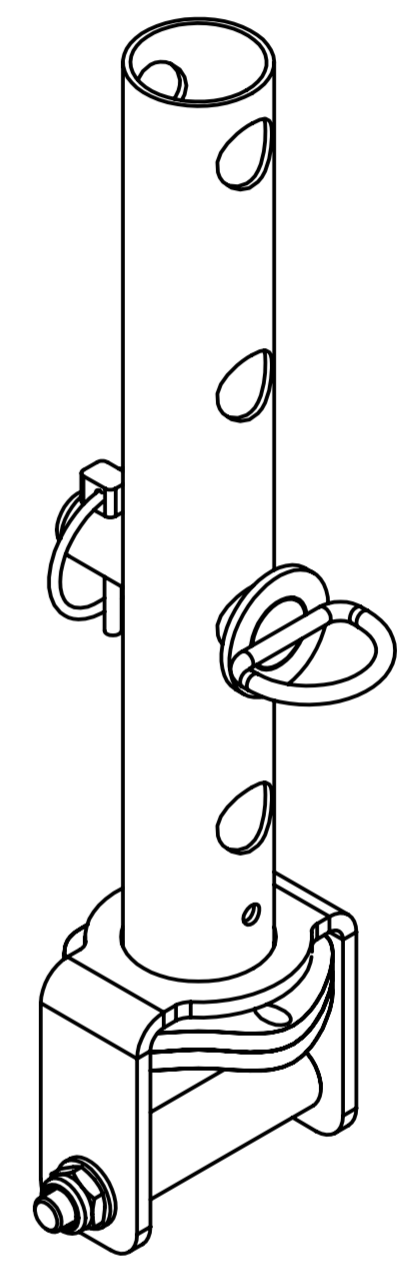
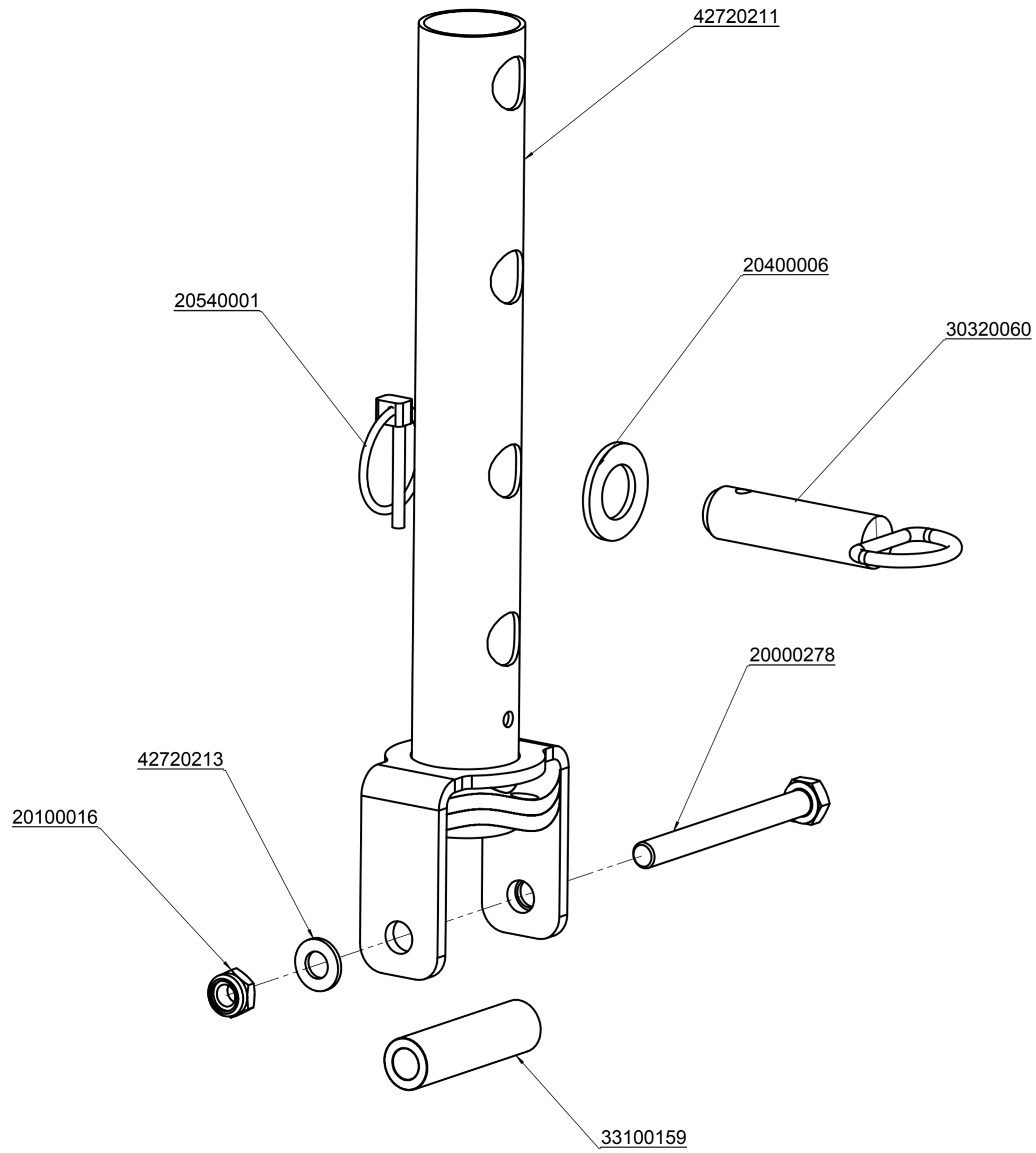
E

D

C

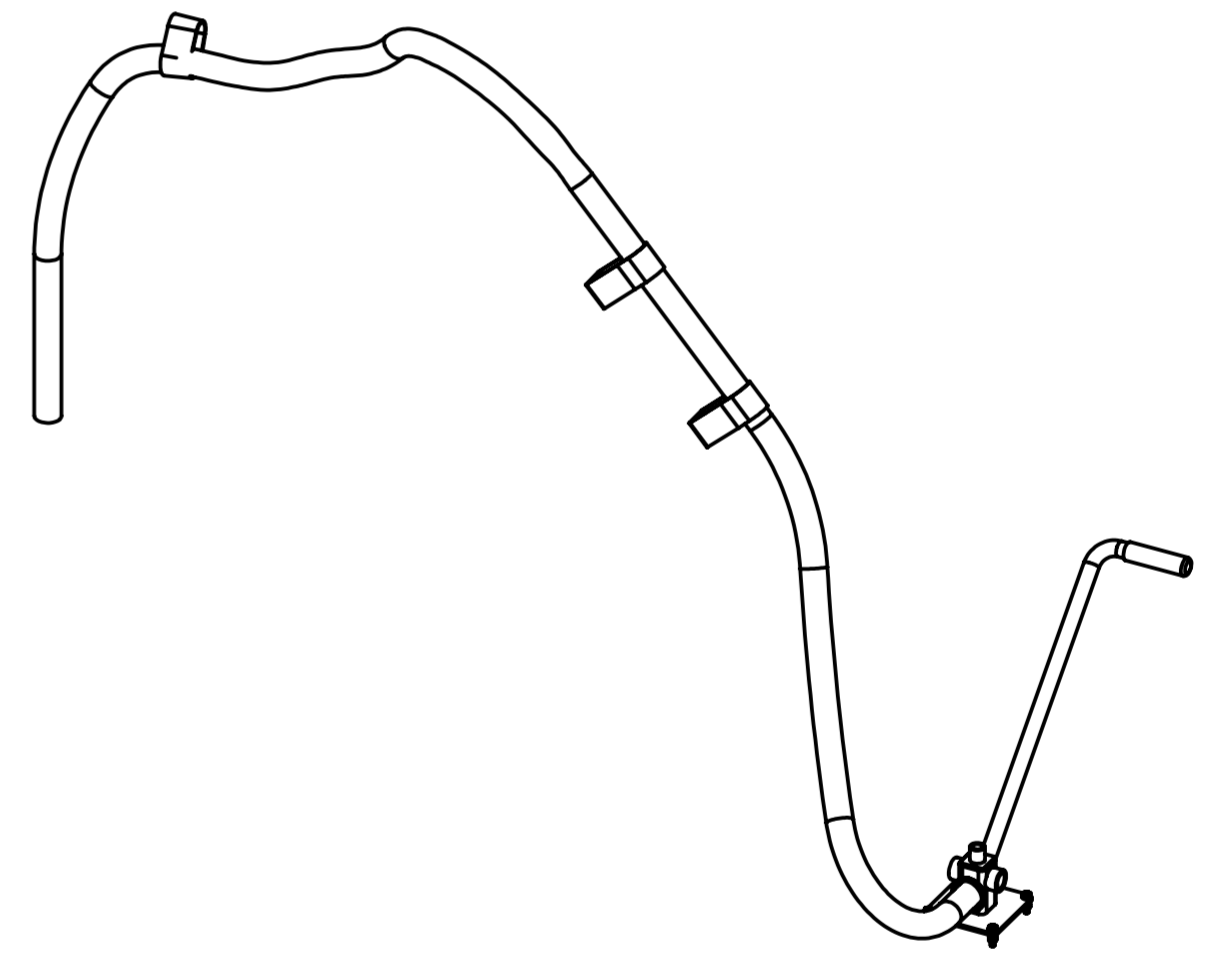
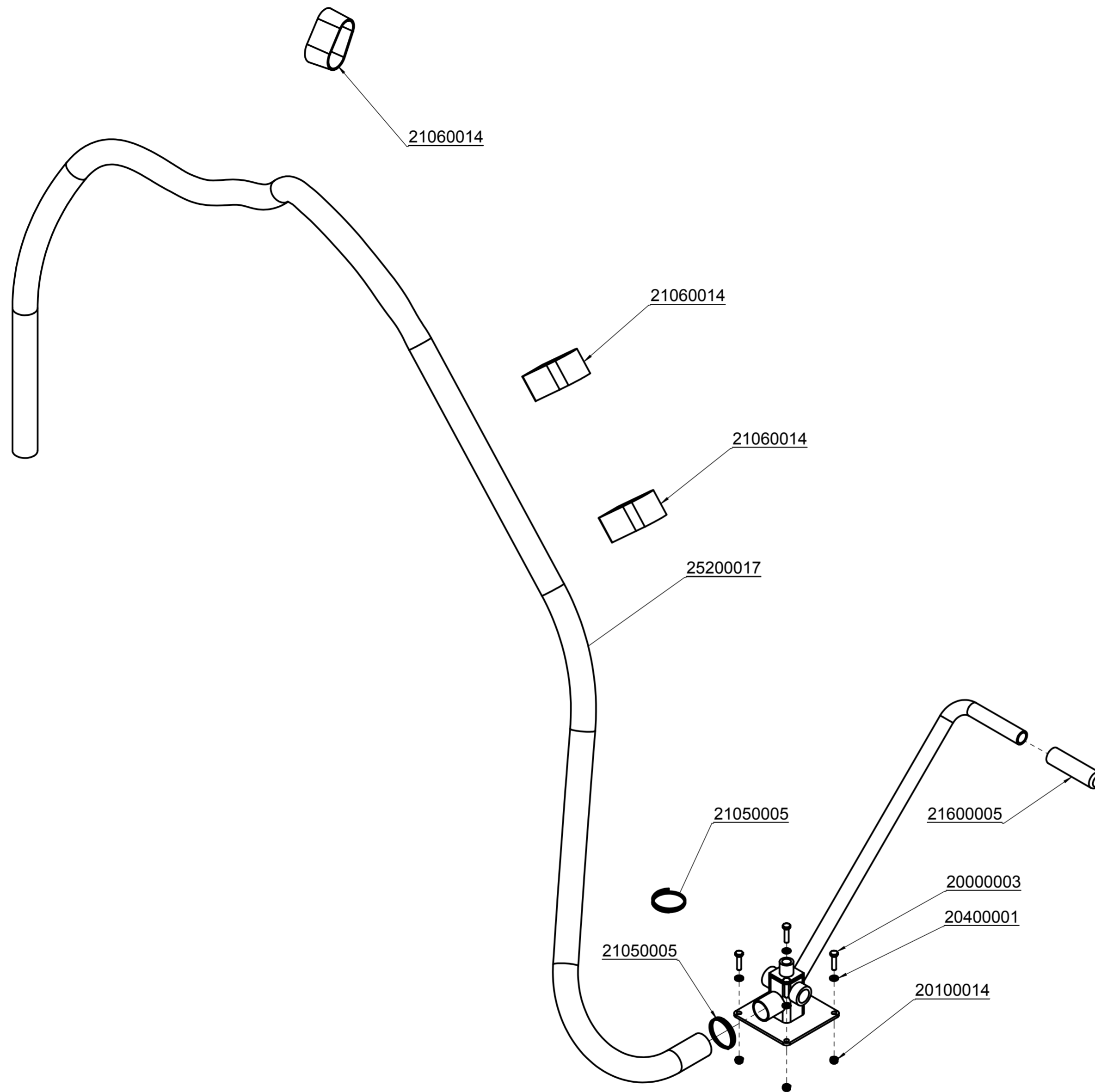
B

A

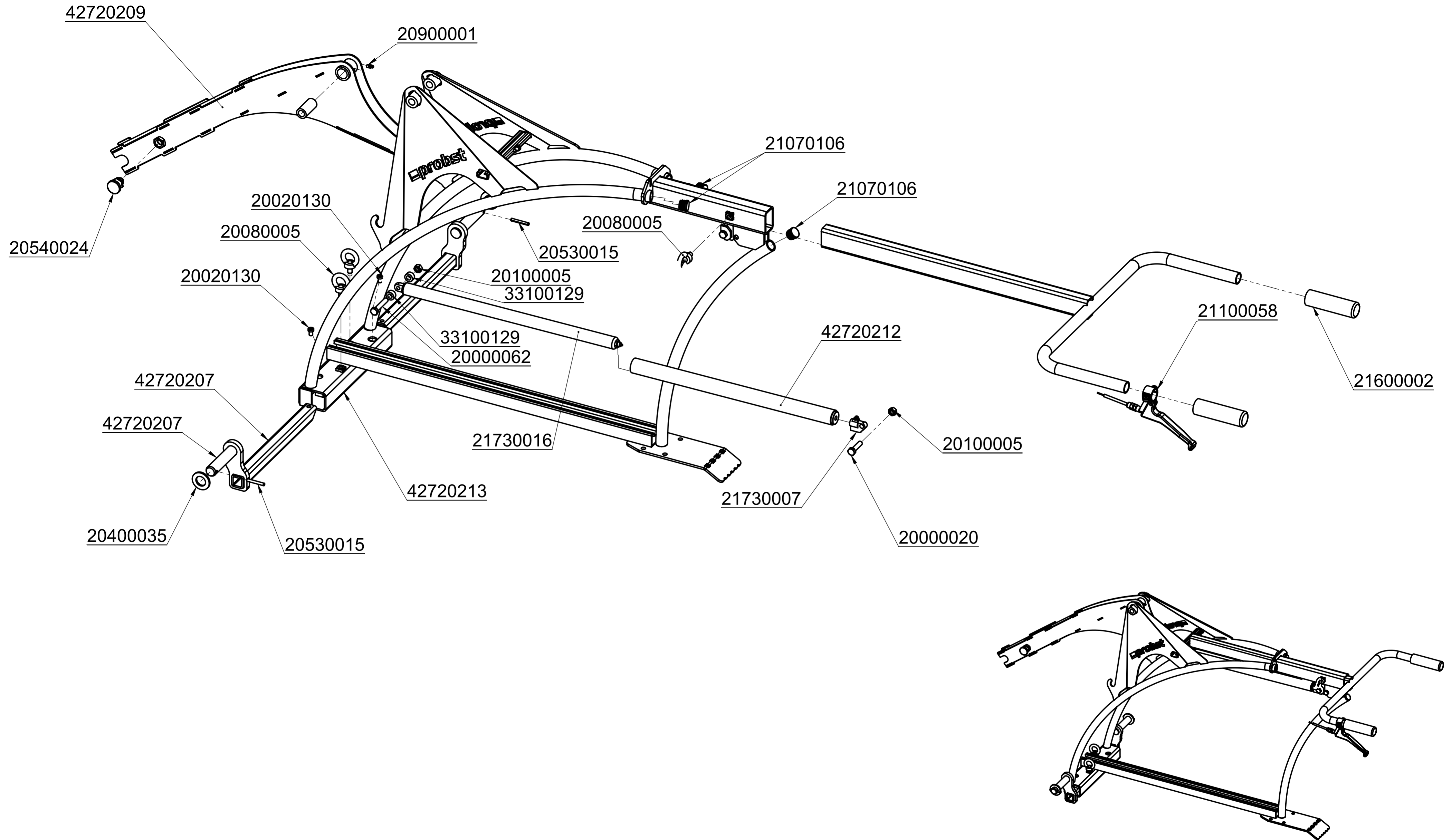


		Bei Änderungen Rücksprache TB !	
		Gewicht: 1,5 kg	
		Schutzvermerk nach DIN 34 beachten! Nachdruck nur mit unserer Genehmigung!	
		Benennung	
		Drehaufhängung SM+Speedy VS zu UM	
		Artikelnummer/Zeichnungsnummer	
		E42720225	
		Blatt	
		1	
		von 1	
Zust.		Ers. d.	
Urspr.		Ers. f.	

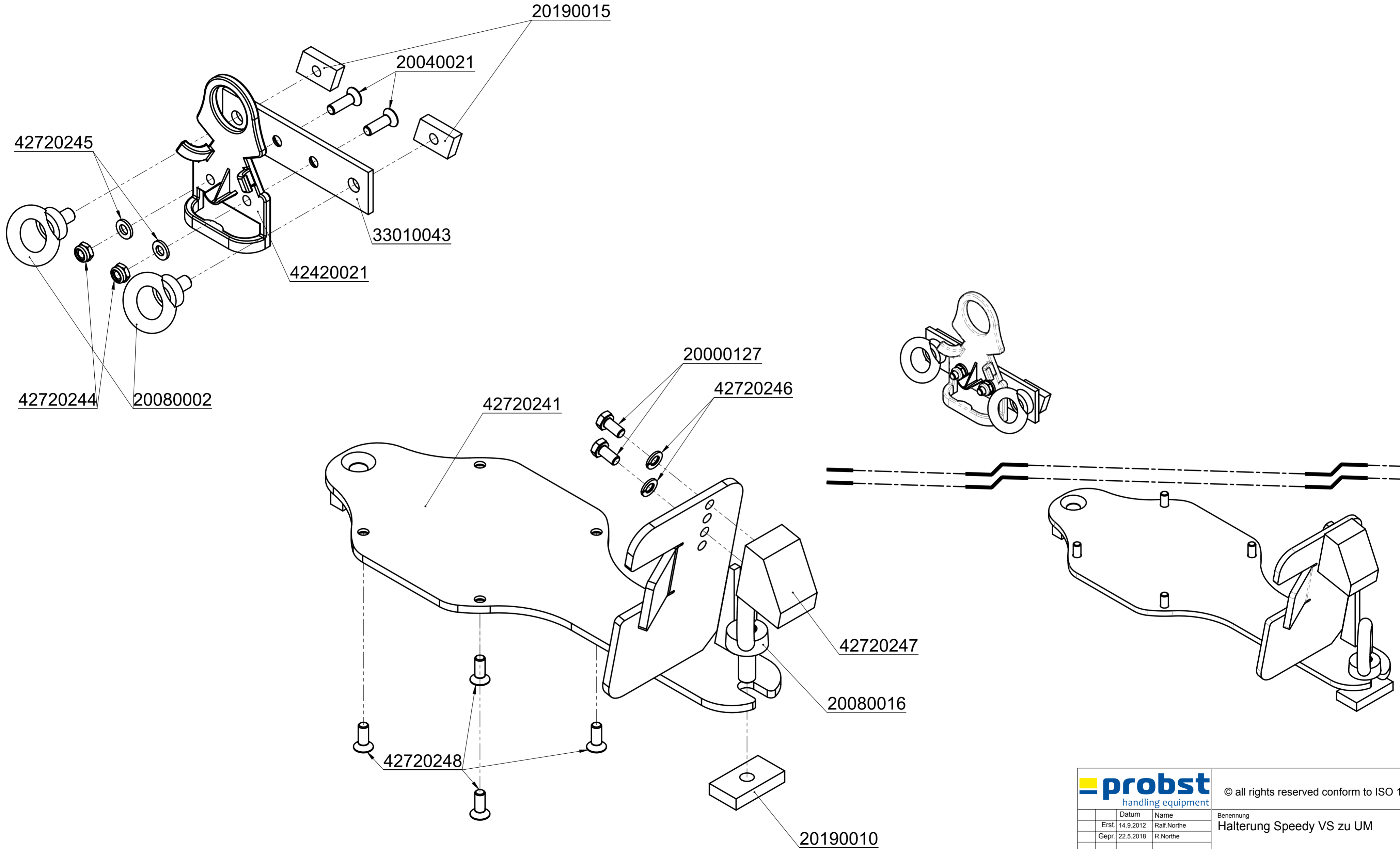
8 7 6 5 4 3 2 1



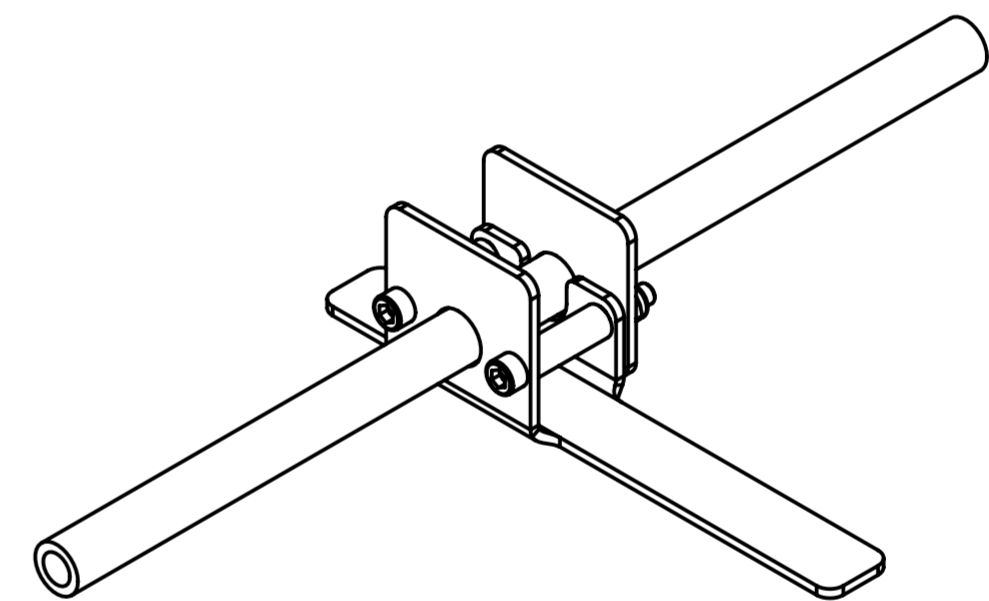
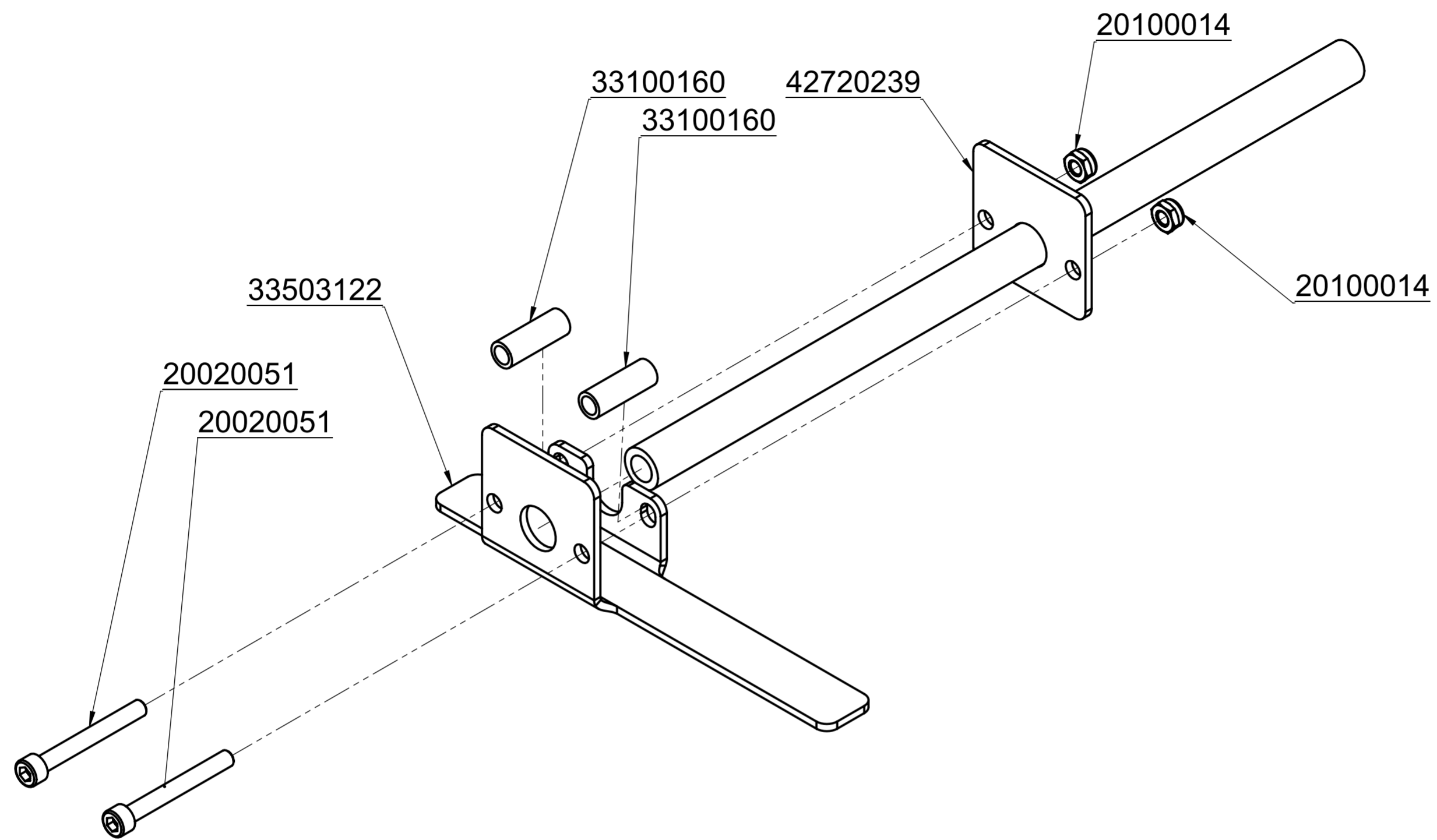
		Bei Änderungen Rücksprache TB !	
		Gewicht: 3,4 kg	
		Schutzvermerk nach DIN 34 beachten! Nachdruck nur mit unserer Genehmigung!	
		Benennung	
		Adapter Saugplatte Speedy VS zu UM	
		Artikelnummer/Zeichnungsnummer	
		E42720226	
		Blatt	
		1	
		von 1	
WA:		Ers. f.	
Kunde:		Ers. d.	
Zust. Urspr.			



		© all rights reserved conform to ISO 16016	
	Datum	Name	Benennung
	Erst.	13.9.2012	Ralf Northe
	Gepr.	14.5.2018	J. Werner
			zu Uni Mobil / Floris Mobil
			Artikelnummer/Zeichnungsnummer
			E42720264
			Blatt
			1
			von 1
Zust.	Urspr.	Ers. f.	Ers. d.



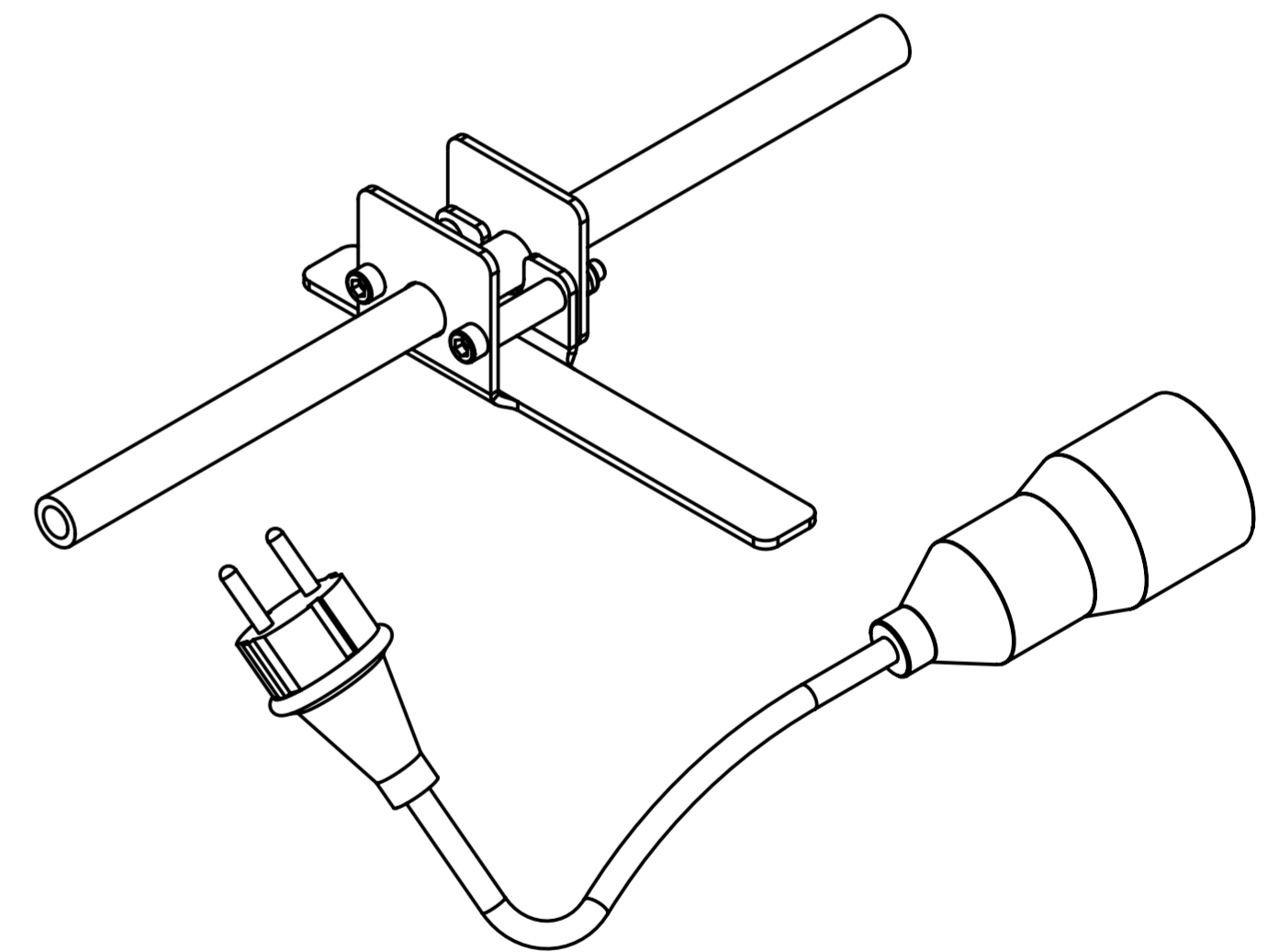
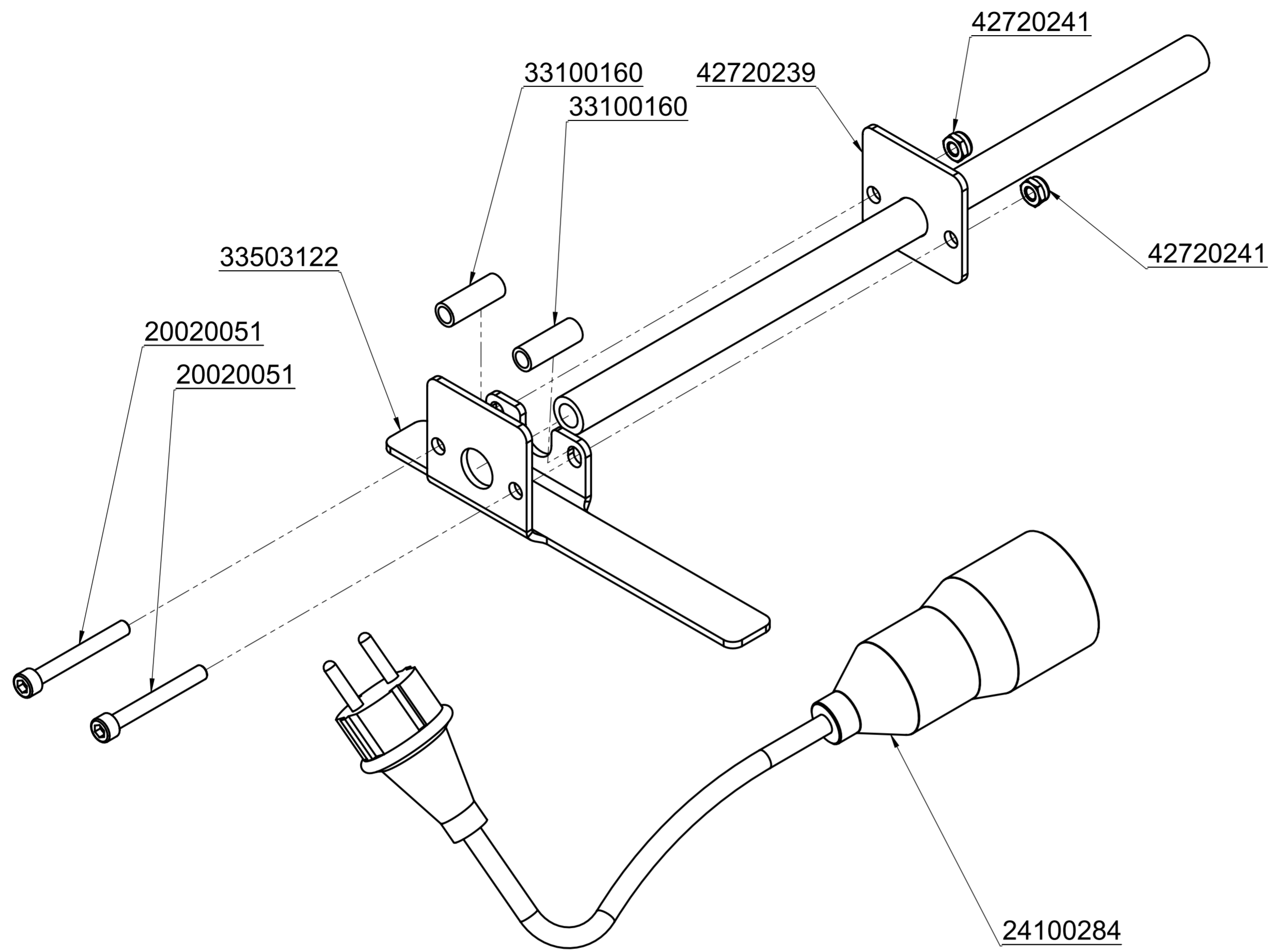
		© all rights reserved conform to ISO 16016	
Benennung		Halterung Speedy VS zu UM	
Erst.	14.9.2012	Name	Ralf.Northe
Gepr.	22.5.2018	Name	R.Northe
Artikelnummer/Zeichnungsnummer		Blatt	
E42720237		1	
von 1			
Zust.	Urspr.	Ers. f.	Ers. d.



probst
handling equipment

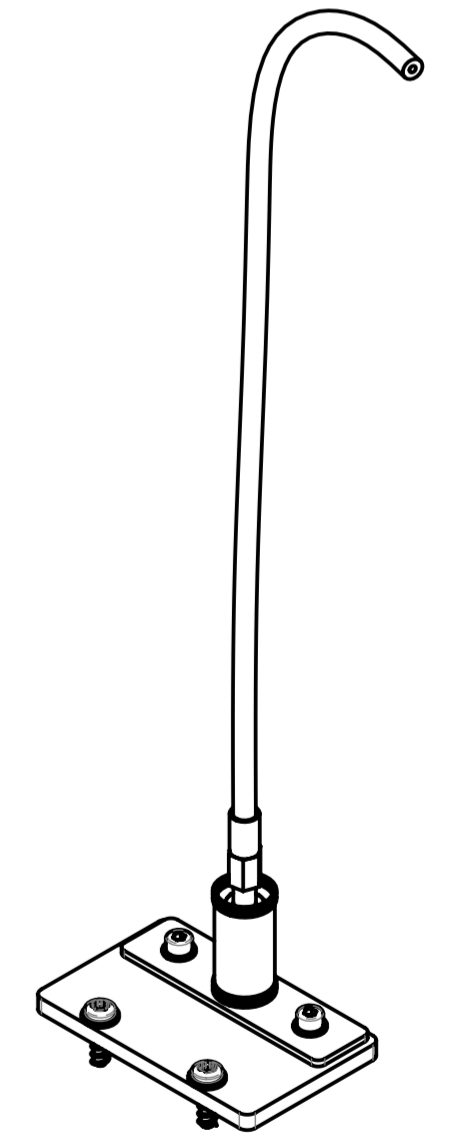
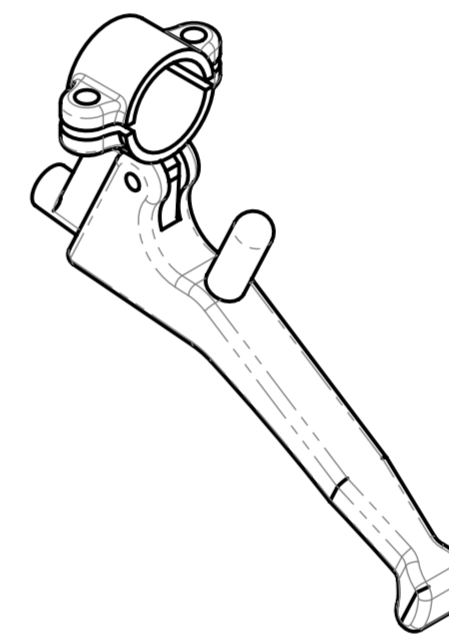
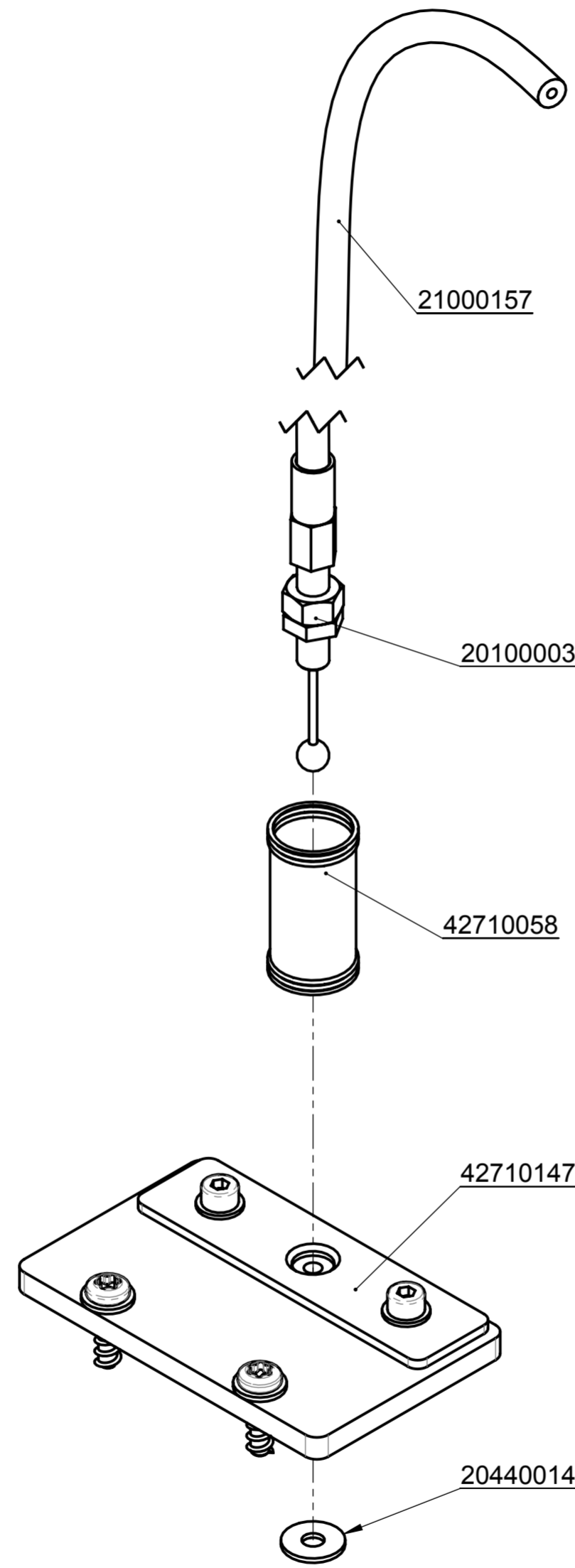
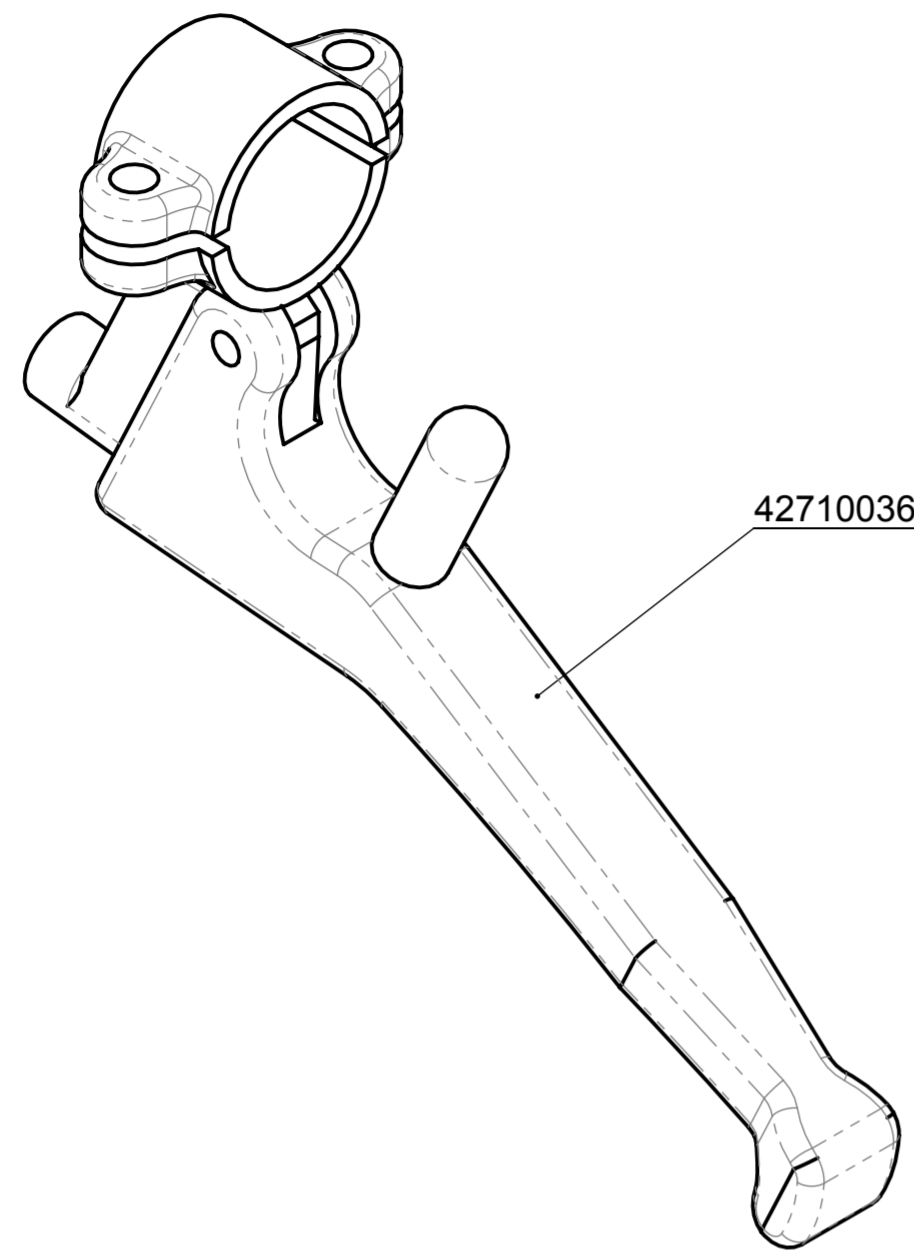
© all rights reserved conform to ISO 16016

Datum	Name	Benennung	
Erst. 12.10.2012	Ralf.Northe	Pendelaufhängung zu UM für Honda-Stromerzeuger ohne Netzkabelverlängerung	
Gepr. 22.5.2018	R.Northe		
		Artikelnummer/Zeichnungsnummer	Blatt
		E42720238	1
			von 1
Zust.	Urspr.	Ers. f.	Ers. d.



© all rights reserved conform to ISO 16016

Datum	Name	Benennung
Erst. 15.5.2013	Ralf.Northe	Pendelaufhängung zu UM für Honda-Stromerzeuger mit Netzkabelverlängerung
Gepr. 22.5.2018	R.Northe	
Artikelnummer/Zeichnungsnummer		Blatt
E42720290		1
Zust. Urspr.		von 1
Ers. f.		Ers. d.



		© all rights reserved conform to ISO 16016	
	Datum	Name	Benennung
	Erst. 27.2.2017	I.Krasnikov	Bowdenzug 1,5m kpl. mit Handgriff zur Nachrüstung an UNIMOBIL-UM-VS-140/200
	Gepr. 27.2.2017	I.Krasnikov	
			Artikelnummer/Zeichnungsnummer
			E42720373
Zust.	Urspr.	Ers. f.	Ers. d.
			Blatt 1 von 1

