



ATZ-P-4

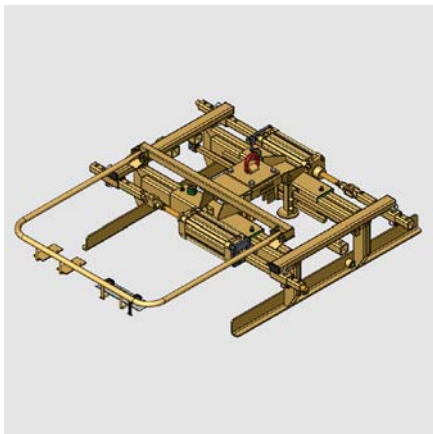
## Pneumatic Cubing Clamp ATZ-P

Universally suitable for destacking or restacking of one or two layers of paving blocks at a time.

Mostly applied in conjunction with sandblasting machines.

Available with 2 or 4 sided clamping, depending on the size and shape of the paving blocks.

- Crane eye for attaching to crane hook.
- Pneumatic cylinder and additional manual adjustment enables a large opening range.
- Height adjustment facility.
- Fitted with manual control valve on the guiding handle.



ATZ-P-2

Type	Compressed Air Connection Pressure bar (psi)	Inside Height mm (in)	Dead Weight kg (lbs)	Opening Width Side Gripper mm (in)	Opening Width Main Gripper mm (in)	Working Load Limit/WLL kg (lbs)	Gripper Base Length Main Gripper mm (in)	Side Gripper mm (in)	Order-Number
ATZ-P-4	6 – 10 (87.02 – 145.04)	160 (6.30)	260 (573)	760 – 1,360 (29.92 – 53.54)	660 – 1,420 (25.98 – 55.91)	400 (882)	1,200 (47.24)	850 (33.46)	57500097
ATZ-P-4	6 – 10 (87.02 – 145.04)	160 (6.30)	270 (595)	760 – 1,360 (29.92 – 53.54)	660 – 1,420 (25.98 – 55.91)	600 (1,323)	1,200 (47.24)	850 (33.46)	57500097-002
ATZ-P-2	6 – 10 (87.02 – 145.04)	160 (6.30)	120 (265)		500 – 1,100 (19.69 – 43.31)	400 (882)	1,200 (47.24)		57500148