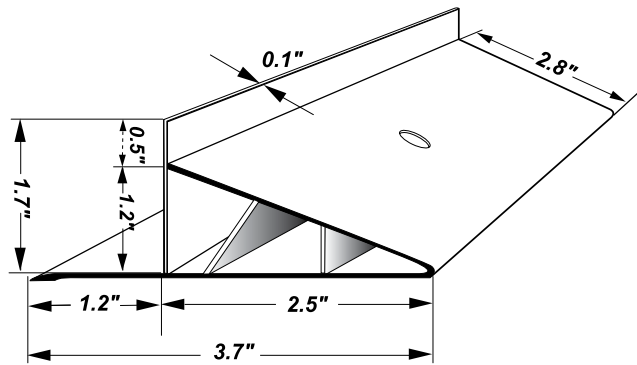


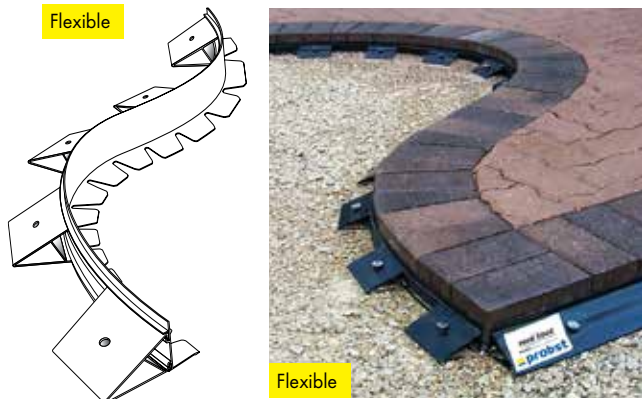
## Rigid

Rigid can be used as a flexible edge restraint. A 7 ft section can be flexed slightly to produce a contour with a radius limit of approximately 17 ft. The rigid model is ideal for straight runs and gentle curves with minimal spikes.

Type	Description	Dead Weight lbs (kg)	Order-Number
Rigid 84 ft Bundle	12 x 7 ft Sections	34 (14.3)	51800122
Rigid 4,116 ft- Pallet	588 x 7 ft Sections	1646(747)	51800122



Rigid



Flexible

## Flexible

- Can create radius as tight as 18"
- Ideal for tight curves
- Easily makes beautiful curves with perfect transitions and with minimum spikes

Type	Description	Dead Weight lbs (kg)	Order-Number
Flexible 84 ft- Bundle	12 x 7 ft Sections	25 (11.4)	51800123
Flexible- 4,116 ft Pallet	588 x 7 ft Sections	1235 (560)	51800123

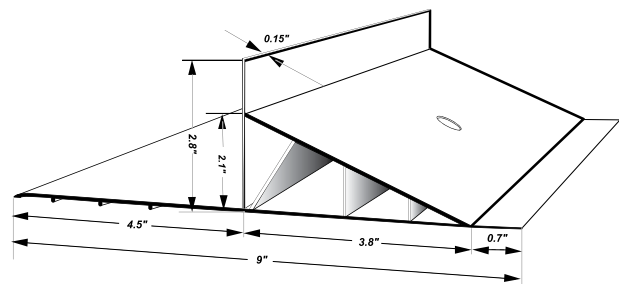
## Industrial

On heavy-duty commercial and permeable (PICP) applications Industrial has proven itself for decades to be the most economical alternative to poured-in-place concrete curbs. It is the best performing, lowest labor, lowest material cost per foot of any industrial edge restraint.

- Longer extended lip with thicker walls and additional frictional ribs
- Designed for 3-4" (8-10 cm) commercial/industrial pavers
- 10 ft long, straight, one-piece sections
- Pre-drilled holes 6" apart alternating backside/front extension lip
- Connector Pipe shipped one 10 ft section per carton of 120 ft to allow cuts as needed. Recommend connector pieces cut to 10"

Type	Description	Dead Weight lbs (kg)	Order-Number
Industrial 120 ft - Bundle	12 x 10 ft Sections	7 (3)	51800117

## Industrial



Industrial