

PD-S-506

Hydraulic Swing Damper PD

Fitted to control the swinging movements of the clamp when the fork lift is in motion.

Damper is longitudinally to the direction of travel by means of a hydraulic damping cylinder and diagonally to the direction of travel by means of rubber buffers. PD-V heavy-duty design with 2 damper cylinders arranged in V-stage.

Type	Dead Weight kg (lbs)	Order-Number
PD-S-506	45 (99)	47140009
PD-V	70 (154)	47100042



Hydraulic Hoses HD

Hydraulic Accessories

Hydraulic Hoses

1 set = 2 hydraulic hoses including quick couplings between the fork lift and the fork sleeves or crane boom, length each approx. 1,200 mm (47.24 inch).

Electromagnetic Change Over Valve ELMV

Fitted to the clamp, in case there is only one hydraulic circuit on the side of the fork lift for “clamping” and “turning”. Supplied with the required electrical relais and push button, but not the electrical connections to the fork lift truck.

Electromagnetic Change Over Valve ELMV-DZ

Fitted to each of both clamps of the fork lift double clamp attachment STAZ-DZ II, for the separate control of the two single clamps. This means that the double clamp can be used to transport only one stack, as and when required. Supplied without electrical connections to the fork lift truck.

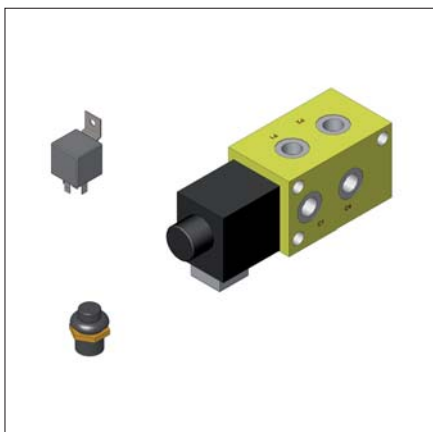
Electrical Connection-Kit between STAZ-DZ-II and forklift

Consisting of:

- Complete electric wiring of the attachment, installation of the components into the forklift has to be carried out by the customer.
- Spiral cable between forklift and attachment, control box and control elements.
- Turning light for warning purpose for V-attachment on crane boom KA.

Safety valve

Valve installed on grab if second release function (accidental release) in accordance with DIN EN ISO 3691-1 missing from supporting device.



Electromagnetic Change Over Valve ELMV